

### Safety Instruction

READ CAREFULLY BEFORE INSTALLING FIXTURE. PLEASE KEEP THIS MANUAL FOR FUTURE USE.

Fixtures must be wired in accordance with the National Electrical Code and all applicable local codes. Proper grounding is required for safety.

This product must be installed in accordance with the application code by a person familiar with the construction and operation of the product and the hazards involved.

Make certain power is off before installing or maintaining fixture.

Check that voltage is compatible with fixture driver. Use approved connectors for all electrical connections.

### Maintenance Caution

Review the wire connection before beginning, and make sure fixture is grounded properly.

For lighting controls, follow control instructions carefully.

Turn power off and wait for fixture to cool before performing maintenance.

Maintenance must be done by professionals.

## ACCESSORY PACK

### Accessory Pack



Wire Nut (3)

### Accessory Pack for Photocell



Photocell (1)

### Accessory Pack for 7 Pin



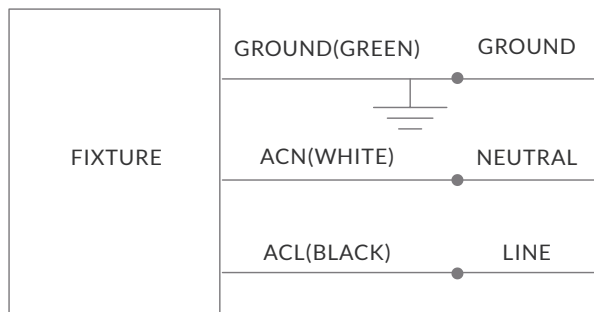
Shorting Cap (1)

### NOTE

1. If fixture is furnished with photocell receptacle, please make sure install the photocell or shorting cap.

## WIRE CONNECTION

Universal Voltage permits operation at 120VAC thru 277VAC or 347VAC or 480VAC, 50 or 60 Hz.



Make the following Electrical Connection:

- Connect the voltage supply line to ACL in Black.
- Connect the voltage supply Neutral to ACN in White.
- Connect Green ground lead to the supply ground lead.

## INSTALLATION

### WARNING

Risk of injury or damage. Make certain power is OFF before installing or maintaining fixture.

### Notes:

1. The Arm (AR), Slip Fitter (SF) and Trunnion (TR) are field installed, need to be bought separately.
2. If fixture is furnished with photocell receptacle, please make sure install the photocell or shorting cap.

### Arm Mount

**Step 1.** Remove the Crosshead Screw A (2) on the Arm Door.

**Step 2.** Loosen the (M8) Socket Head Screw B on the Arm with supplied Hex Wrench and take off the Slider.

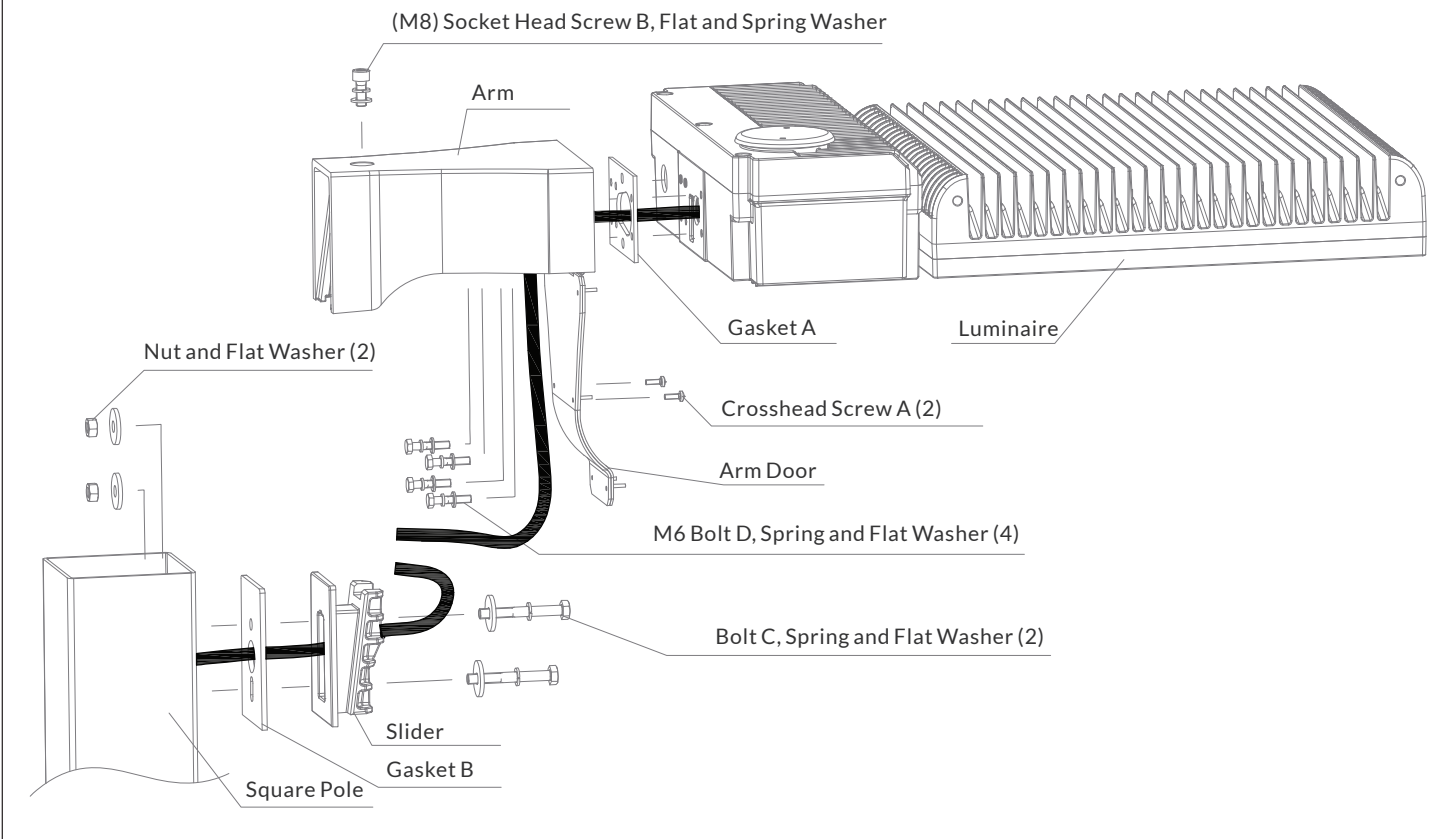
**Step 3.** Thread the luminaire cord through the Arm. Fasten the Arm to the luminaire using M6 Bolt D, spring and Flat washer (4) with a Wrench of aperture of 7/16" (not supplied).

**Step 4.** Drill the pole according to the drill pattern. Fix the Slider and Gasket B to the Pole with Bolt C (2), Spring and Flat Washer (4) and Nut (2). Thread the AC power cord through pole and slider.

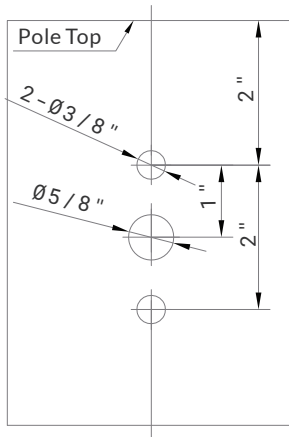
**Step 5.** Slide the Arm into the Slider and fix them with removed (M8) Socket Head Screw B, Flat and Spring Washer.

**Step 6.** Make necessary wire connections inside the Arm and squeeze all the wires In the Arm.

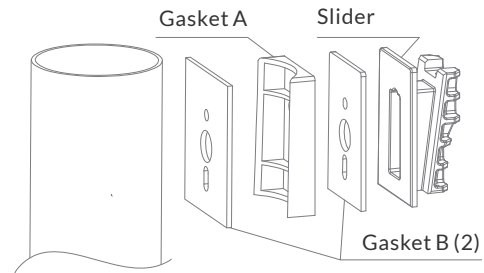
**Step 7.** Replace the Arm Door and tighten crosshead screw A (2).



### Pole Mount Drill Pattern



### For Round Pole



### Slip Fitter Mount (SF)

**Step 1.** Remove Screws A (2) and open the SF cover. The removed Screws A (2) and SF cover will be used later.

**Step 2.** Remove Bolt B (M12) in the center of Slip Fitter and set apart the SF Arm A and B. Thread the luminaire cord through the SF Arm B.

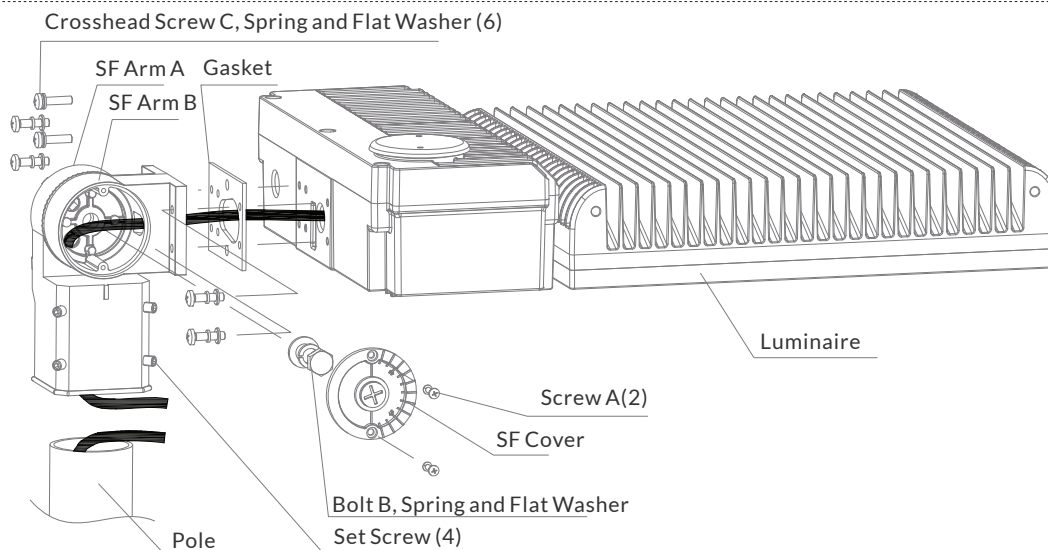
**Step 3.** Attach the SF Arm B to the luminaire using Crosshead Screw C, Spring and Flat Washer (6). Make sure the Gasket is between luminaire and Arm.

**Step 4.** Thread the luminaire cord through the SF Arm A. Adjust the two SF Arms in desired angle then fasten the Bolt B (M12) again. Make sure the luminaire cord do not get pinched between two SF Arms.

**Step 5.** Reinstall the SF Cover with Screws A (2).

**Step 6.** Make wire connections between luminaire and supply wires in a pole or tenon with appropriate waterproof connectors and squeeze all the wires in the pole or tenon.

**Step 7.** Loosen Set Screw (4) on SF Arm. Slip the luminaire over a pole or tenon then tighten the Set Screws (4) to secure the luminaire.



### Trunnion Mount (TR)

- Step 1.** Fasten the 1/2 NPS Waterproof Bushing to the luminaire.
- Step 2.** Thread the luminaire cord through the center opening of Trunnion Bracket along with a Waterproof Bushing and Gasket. Fasten the Trunnion to the luminaire using Screw A, Spring and Flat Washer (6).
- Step 3.** Drill the desired bracketry according to the drill pattern. Install the trunnion to a desired bracketry by the hole using Bolts, Locking Washers and Nuts (2) (not supplied).
- Step 4.** Adjust the angle of the fixture by trunnion.
- Loosen Screws B (2) and remove Screw C (2) on the TR Arm B.
  - Swivel fixture to a desired angle.
  - Tighten Screws B and C (2) to secure TR Arm A and B.
- Step 5.** Make wire connections between luminaire and supply wires in bracketry with appropriate waterproof connectors.

### Trunnion Mount Drill Pattern

