



Pavilion With  
Glass Frosted Lens



Pavilion With  
Photocontrol



Intertek

The Pavilion LED Post Top comes in traditional lantern look with an expected service life of 50,000 hours high efficiency and an easy-install design. As a decorative luminaire, the traditional style is in harmony with the architectural and environmental area lighting applications such as pedestrian street, parks, gardens, courtyard etc.

## TECHNICAL DATA

|                            |   |
|----------------------------|---|
| <b>Wattage</b>             | 30W, 50W, 75W   |
| <b>CRI</b>                 | 70-Standard<br>80-Optional                                      |
| <b>CCT</b>                 | 3000K, 4000K, 5000K   |
| <b>Input Voltage</b>       | 120-277VAC, 50/60Hz<br>347/480V, 50/60Hz                        |
| <b>Operating Temp.</b>     | -40°F to 104°F (-40°C to 40°C)                                  |
| <b>Driver</b>              | 0-10V dimming   |
| <b>Certifications</b>      | cETL Listed<br>DLC Listed<br>RoHS compliant<br>DarkSky approved |
| <b>Power Factor</b>        | >0.9 at full load   |
| <b>Harmonic Distortion</b> | <20% at full load   |
| <b>Projected Lifetime</b>  | L70 - 127,000 Hours   |
| <b>IP Rating</b>           | IP65  |

### NOTE:

1. Only 3000K or less is DarkSky Approved.
2. The dimming wires are inside the fixture. If need to have access to the dimming wire, please contact Customer Service.

## FEATURES

- **Efficacy:** Delivers up to 120 LPW for high performance and energy savings.
- **Controls:** Compatible with photocontrol and 3/5/7-pin NEMA receptacles.
- **Protection:** Built-in 10kA surge suppression for reliable operation.

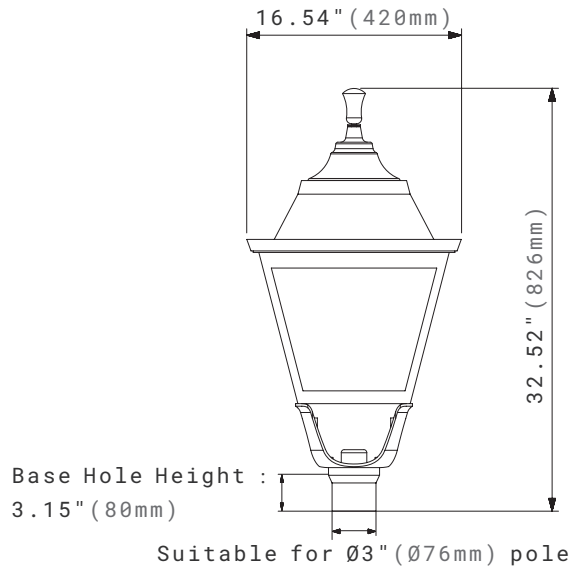
## SPECIFICATION

Max. Weight: 14.33 lbs

Effective Projected Area (EPA)

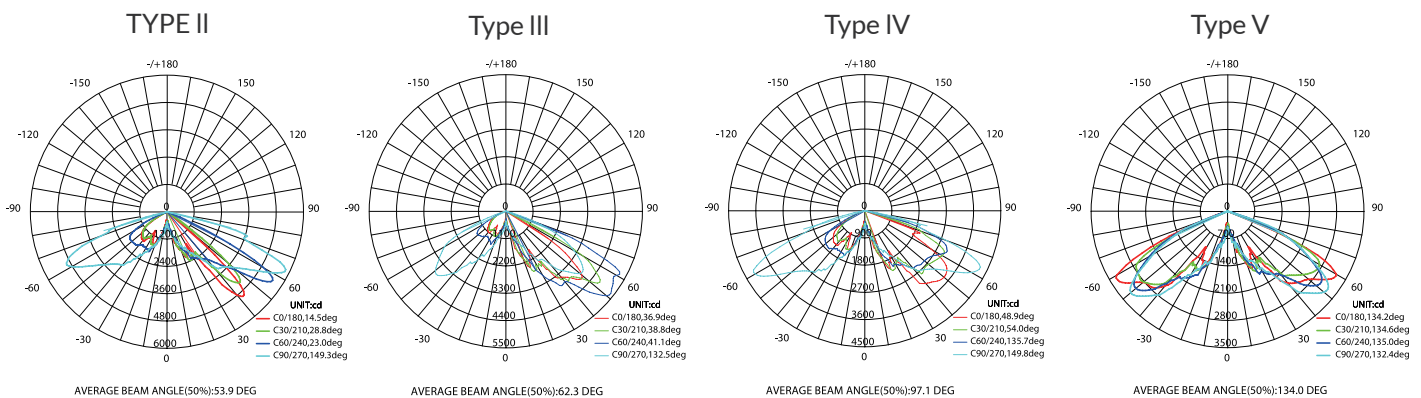
Without four lens panels: 1.70ft<sup>2</sup>

With four lens panels: 2.76ft<sup>2</sup>



## PHOTOMETRY

All published luminaire photometric testing performed to IESNA LM-79-08 standards by a NVLAP certified laboratory. IESNA LM-79-08 specifies the entire luminaire as the source resulting in a fixture efficiency of 100%. Results may vary per actual order.



## ORDERING INFORMATION

EXAMPLE: PPT30301-P1-V

| PPT<br>Series | Wattage   | CCT         | Voltage                    | Control   | Installation                               | Distribution  | Finish  |
|---------------|-----------|-------------|----------------------------|---|--|---|---|
| PPT           | 30<br>30w | 30<br>3000K | 1<br>120-277V              | <b>BLANK</b><br>0-10V<br>dimming<br><br><b>PC</b><br>Photoelectric<br>Control<br><br><b>7P</b><br>7 Pin PE<br>Receptacle <sup>2</sup> | <b>P1</b><br>3"<br>Tenon Pole <sup>3</sup> | <b>V</b><br>Type V <sup>4</sup><br><br><b>IV</b><br>Type IV<br><br><b>III</b><br>Type III<br><br><b>II</b><br>Type II | <b>BK</b><br>Black <sup>4</sup><br>RAL#9005<br><br><b>BZ</b><br>Bronze <sup>4</sup><br>RAL#8019 |
|               | 50<br>50w | 40<br>4000K | 2<br>347V                  |   |  |   |   |
|               | 75<br>75W | 30<br>3000K | 1<br>120-277V              |   |  |   |   |
|               |           | 40<br>4000K | 2<br>347V                  |   |  |   |   |
|               |           | 50<br>5000K | 3<br>480V                  |   |  |   |   |
|               |           |             | 6<br>347/480V <sup>1</sup> |   |  |   |   |

### NOTE:

- 120-347V and 347/480V are not available for photoelectric control.
- Shorting cap included.
- 4" OD round pole adapter is available for accessory.
- Type V is standard. Please contact Customer Service to check the lead time for other distributions.
- Standard Finish is Black and Bronze. Please contact Customer Service for other finish.

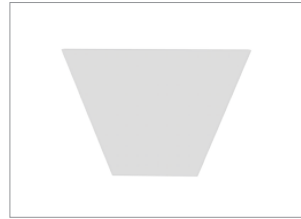
## ACCESSORIES (ORDERED SEPARATELY AND FIELD INSTALLED)



**90660**  
**MPT-4RPA-BK**  
 4 inch OD Round Pole Adapter.



**91255**  
**WM-BRACKET-01-BK**  
 Wall Mount Brackets, black.



**90228**  
**PPT-GFL**  
 4 pieces of Glass Frosted Lens  
 for Pavilion LED Post Top.

## PERFORMANCE DATA

Lumen values are measured by third party certified laboratories performed in accordance with IESNA LM-79-08 as well as Lighting Facts listed.

| Nominal Wattage | Measured Wattage | Lumen Output | CRI | CCT   | Distribution Type | LPW |
|-----------------|------------------|--------------|-----|-------|-------------------|-----|
| 30W             | 29W              | 3250lm       | >70 | 5000K | Type V            | 112 |
| 50W             | 50W              | 5750lm       | >70 | 5000K | Type V            | 115 |
| 75W             | 76W              | 8740lm       | >70 | 5000K | Type V            | 115 |

## Lumen Ambient Temperature (LAT) Multipliers

Use these factors to determine relative lumen output for average ambient temperature from -40°F to 104°F (-40°C to 40°C).

| Ambient |            |            |
|---------|------------|------------|
| Celsius | Fahrenheit | Multiplier |
| 0       | 32         | 1.02       |
| 10      | 50         | 1.01       |
| 20      | 68         | 1.00       |
| 25      | 77         | 1.00       |
| 30      | 86         | 1.00       |
| 40      | 104        | 0.99       |

## BUG RATING TABLE

Performed to IESNA LM-79-08 standards by a NVLAP accredited laboratory.

| Model        | BUG Rating | Model        | BUG Rating | Model        | BUG Rating |
|--------------|------------|--------------|------------|--------------|------------|
| PPT30301-II  | B1-U0-G1   | PPT50301-II  | B2-U2-G1   | PPT75301-II  | B2-U3-G2   |
| PPT30301-III | B1-U1-G1   | PPT50301-III | B1-U2-G1   | PPT75301-III | B2-U3-G1   |
| PPT30301-IV  | B1-U0-G1   | PPT50301-IV  | B2-U0-G1   | PPT75301-IV  | B2-U0-G2   |
| PPT30301-V   | B2-U0-G0   | PPT50301-V   | B2-U2-G2   | PPT75301-V   | B3-U3-G3   |
| PPT30401-II  | B1-U2-G1   | PPT50401-II  | B2-U2-G1   | PPT75401-II  | B2-U3-G2   |
| PPT30401-III | B1-U2-G1   | PPT50401-III | B1-U2-G1   | PPT75401-III | B2-U3-G1   |
| PPT30401-IV  | B1-U2-G1   | PPT50401-IV  | B2-U2-G1   | PPT75401-IV  | B2-U3-G2   |
| PPT30401-V   | B1-U2-G1   | PPT50401-V   | B2-U2-G2   | PPT75401-V   | B2-U3-G2   |
| PPT30501-II  | B1-U2-G1   | PPT50501-II  | B2-U2-G2   | PPT75501-II  | B2-U3-G2   |
| PPT30501-III | B1-U2-G1   | PPT50501-III | B1-U2-G1   | PPT75501-III | B2-U3-G1   |
| PPT30501-IV  | B1-U0-G1   | PPT50501-IV  | B2-U2-G1   | PPT75501-IV  | B2-U3-G2   |
| PPT30501-V   | B2-U2-G1   | PPT50501-V   | B2-U2-G2   | PPT75501-V   | B3-U3-G1   |

## WARRANTY

5 years limited warranty.

Specifications subject to change without notice.