



Compact and inconspicuous design with asymmetrical light distribution, directing light downward, minimizing uplight while revealing the texture of the stepped baffle. Die-cast aluminum housing, silicone rubber gasket, tempered glass, akzoNobel powder coating. Heavier powder coating optional for marine ambient corrosion resistance. Ideal for the illumination of ground surfaces, building entrances stairs and footpaths.

TECHNICAL DATA

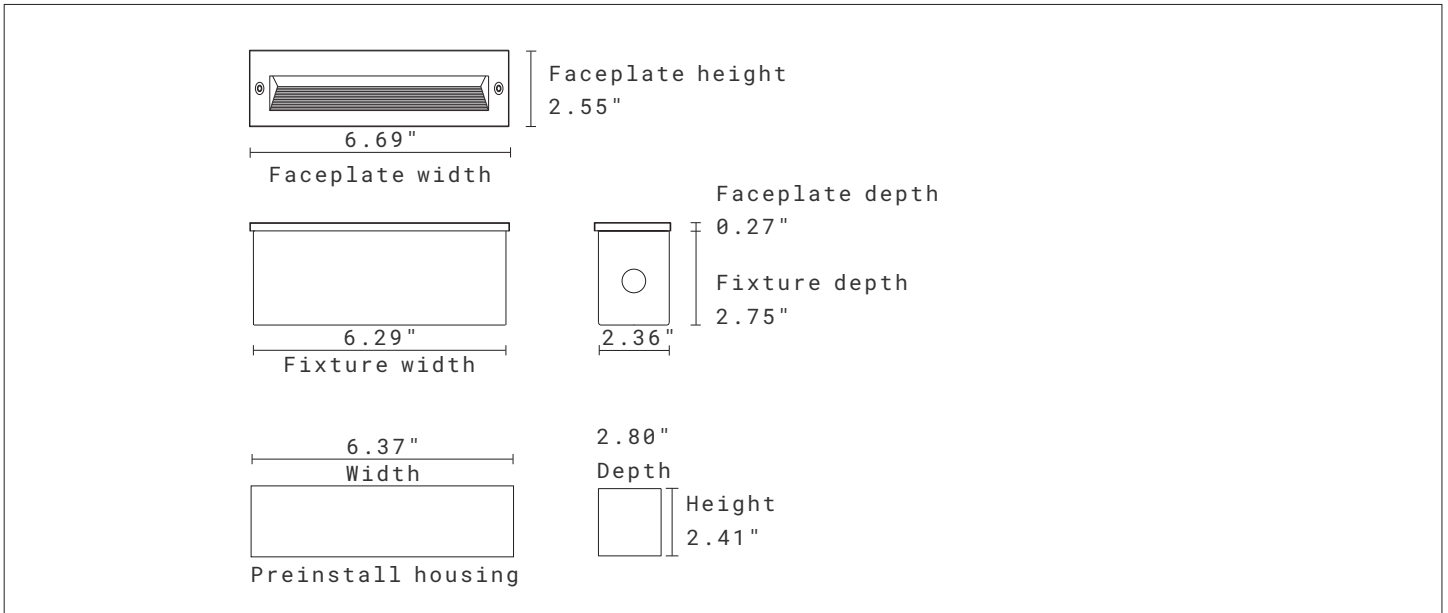
Wattage	4W, 7W, 12W
CRI	80
CCT	2700K, 3000K, 4000K
Input Voltage	120-277VAC, 50/60Hz
Operating Temp.	-4°F to 104°F (-20°C to 40°C)
Driver	
Standard	Non dimming
Optional	0-10V dimming
Certifications	cETL Listed
	RoHS compliant
Power Factor	>0.9 at full load
Harmonic Distortion	<20% at full load
Projected Lifetime	L70 - 100,000 Hours
IP Rating	IP65

FEATURES

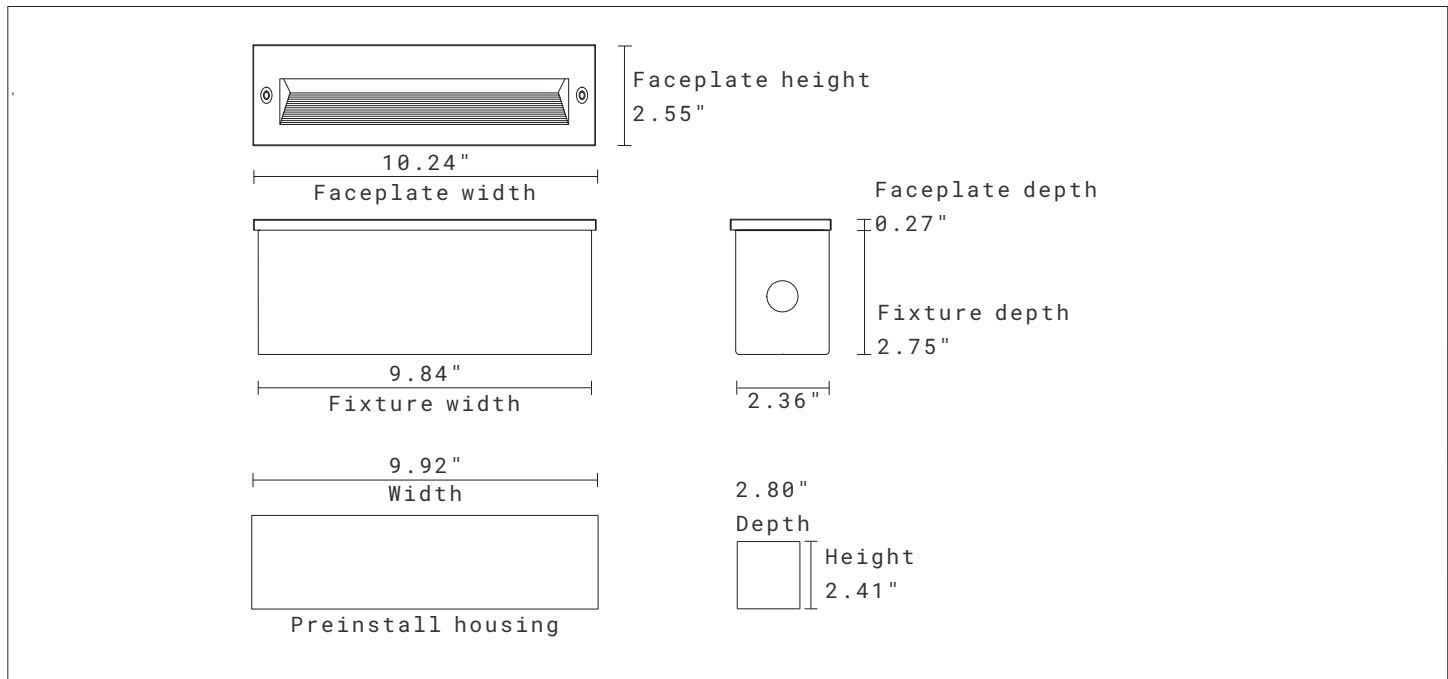
- **Housing Construction:** Heavy duty cast aluminum housing with tempered glass lens.
- **Mounting System:** Stainless steel pre-installed housing with marine grade treatment available.
- **Optical Performance:** Asymmetrical light distribution.

SPECIFICATION

4W

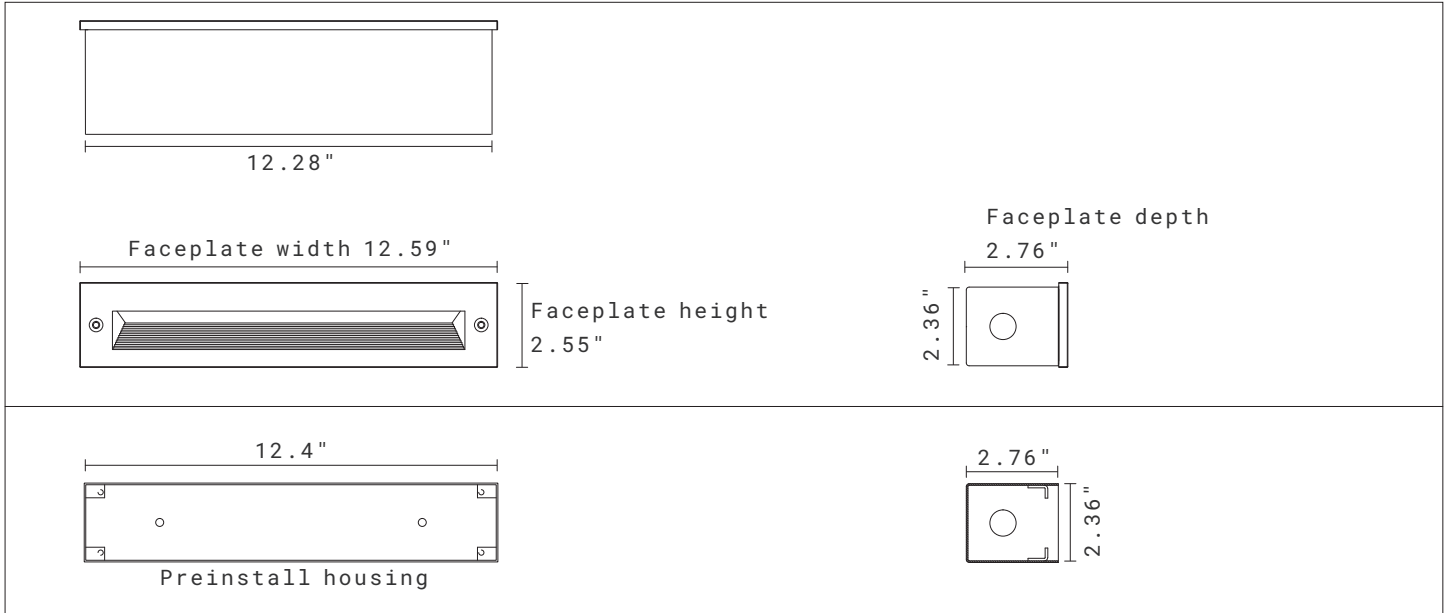


7W

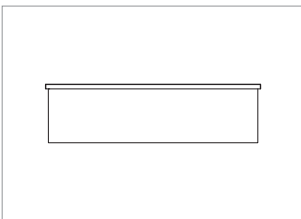


SPECIFICATION

12W



ACCESSORIES (ORDERED SEPARATELY AND FIELD INSTALLED)



SMWL-07IN-PBOX
 Preinstall box for
 6.69" SMWL step light.

SMWL-10IN-PBOX
 Preinstall box for
 10.24" SMWL step light.

SMWL-12IN-PBOX
 Preinstall box for
 12.28" SMWL step light.

SOLID SLIM

Recessed Step And Wall Light

ORDERING INFORMATION

EXAMPLE: SMWL12301-RM-BK

SMWL							
Series	Wattage	CCT	Voltage	Control	Installation	Faceplate Finish	Option
SMWL	4 4W 7 7W 12 12W	27 2700K 30 3000K 40 4000K	1 120-277V	BLANK On/Off	RM Recessed ¹	Standard BK Black ² RAL9011 Optional WH White RAL9016 GY Gray RAL7012 BZ Mineral Bronze SL Silver RAL9006 Black	BLANK None M Marine ambient corrosion resistance D 0-10V Dimming

NOTE:

1. Please choose the preinstall box in following Accessory Table.
2. Black finish is standard, Custom color is available for a premium setup fee, Consult customer service for additional information.

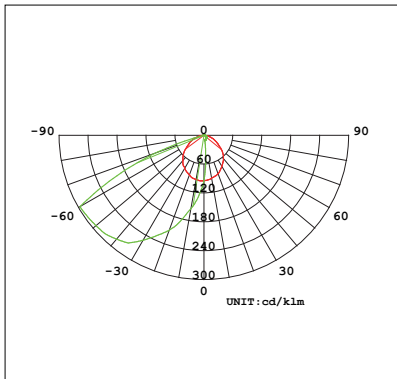
PERFORMANCE DATA

Lumen values are measured by third party certified laboratories performed in accordance with IESNA LM-79-08 as well as Lighting Facts listed.

Nominal Wattage	Delivered Lumen	CCT	CRI
4W	120lm	3000K	80
7W	270lm	3000K	80
12W	490lm	3000K	80

PHOTOMETRY

All published luminaire photometric testing performed to IESNA LM-79-08 standards by a NVLAP certified laboratory. IESNA LM-79-08 specifies the entire luminaire as the source resulting in a fixture efficiency of 100%. Results may vary per actual order.



BUG RATING TABLE

Performed to IESNA LM-79-08 standards by a NVLAP accredited laboratory.

Model	BUG Rating
SMWL4301	B0-U0-G0
SMWL7301	B0-U0-G0
SMWL12301	B0-U0-G0