

THE VERSATILE LED LUMINAIRE

(Bell & Petunia Shade)



VPTB

VPTP



With Drop Lens



With Drop Lens



Single Gooseneck
Arm Mount



Twin Gooseneck
Arm Mount



The Versatile series has the high-performance solution for the most demanding applications with an universal body and different shades. It can be used in many applications such as pedestrian street, factory, schools, garden, courtyard, hotel, parking lot, public parks etc.

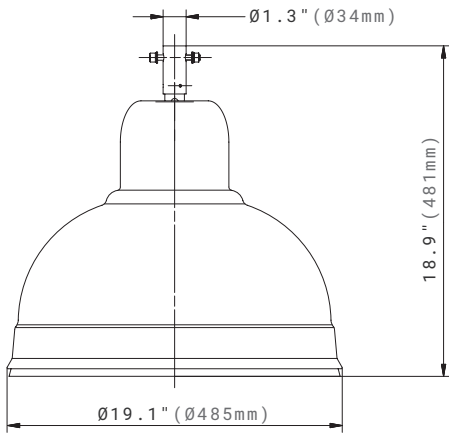
TECHNICAL DATA

Wattage	30W, 60W, 90W, 150W
CRI	70+
CCT	3000K, 4000K, 5000K
Input Voltage	120-277VAC, 50/60Hz 347/480VAC, 50/60Hz
Operating Temp.	-40°F to 104°F (-40°C to 40°C)
Driver	0-10V dimming
Certifications	cUL Listed RoHS compliant FCC certified
Power Factor	>0.9 at full load
Harmonic Distortion	<20% at full load
Net Weight	VPTB: 21.83lbs (9.9kg) VPTP: 21.78lbs (9.88kg) VPTB-PDL: 2.4lbs (1.09kg) SGA4: 30.86lbs (14kg)
Projected Lifetime	L70 - 140,000 Hours
IP Rating	IP66
Surge Protection	Philips Input SPD (10KV)

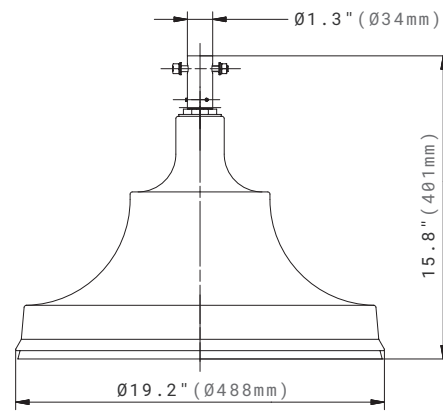
FEATURES

- **Flexible Application:** Universal body with Bell and Petunia shades for pedestrian streets, schools, gardens, courtyards, hotels, parking lots, parks and more.
- **Durable Design:** Tempered glass lens resists fading and discoloration, ensuring long-lasting clarity.
- **Smart Control Ready:** Optional photocontrol and microwave motion sensor with dimming capability.

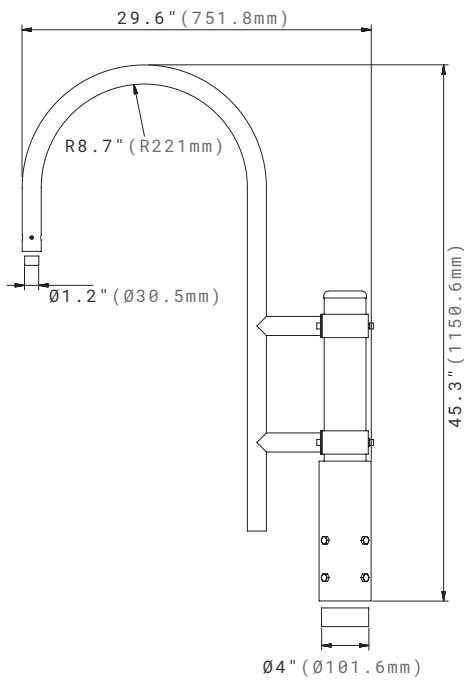
SPECIFICATION



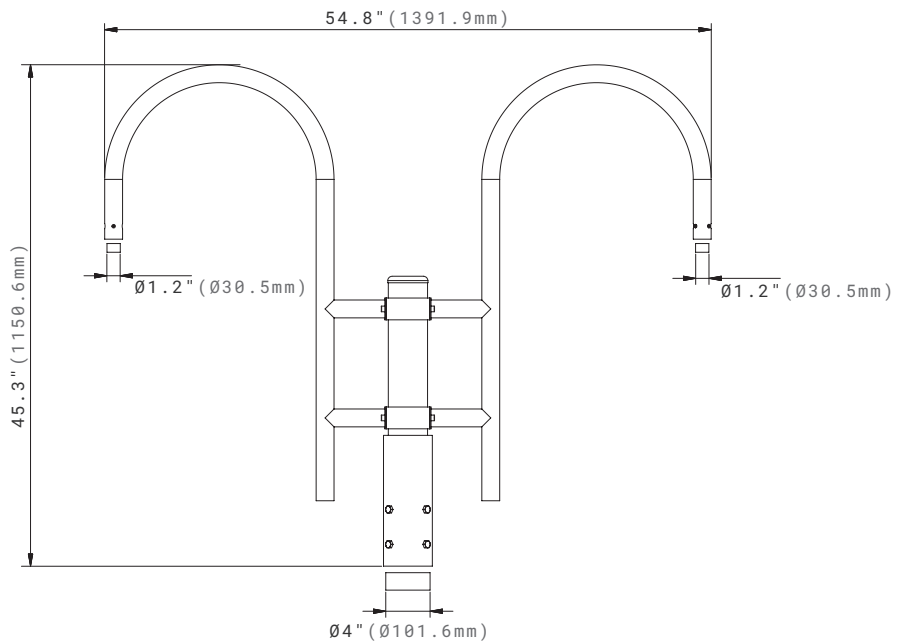
VPTB



VPTP



SGA4



TGA4

THE VERSATILE LED LUMINAIRE

(Bell & Petunia Shade)

ORDERING INFORMATION

EXAMPLE: VPTB30401-P-T5

VPT									
Series	Shade	Wattage	CCT	Voltage	Control	Installation	Distribution	Lens	Finish
VPT	B Bell	30 30W	30 3000K	1 120-277V	BLANK 0-10V dimming	BLANK Pendant Mount	T1 Type I	BLANK Glass Clear Lens	BLANK Dark Bronze
	P Petunia	60 60W	40 4000K	6 347/480V	PC Photoelectric Control	<i>Order and shipped separately</i>	T2 Type II	<i>Order and shipped separately</i>	<i>Optional³</i>
		90 90W	50 5000K		MSW Microwave Motion Sensor	SGA4 Single Gooseneck Arm for 4" OD Pole ¹	T3 Type III	PDL Polycarbonate Drop Lens	AL Aluminum Silver
		150 150W				TGA4 Twin Gooseneck Arm for 4" OD Pole ¹	T4 Type IV		BK Black
							T5 Type VN		WH White

NOTE:

1. Photocell can only be mounted with SGA4 or TGA4.
2. Please check the accessory table for details.
3. Standard Finish is Dark Bronze. Custom colors might be available for an additional fee. Please check with Customer Service for more information.

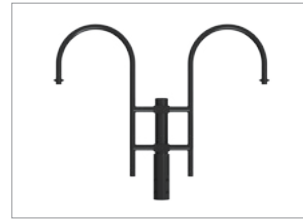
ACCESSORIES (ORDERED SEPARATELY AND FIELD INSTALLED)



90304
VPTB-PDL
Polycarbonate Drop Lens



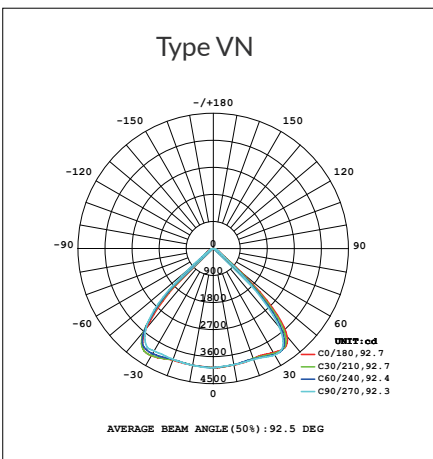
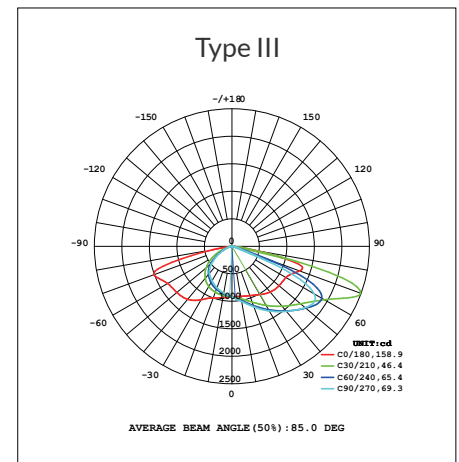
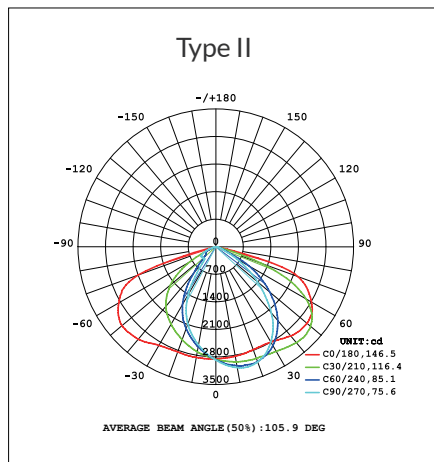
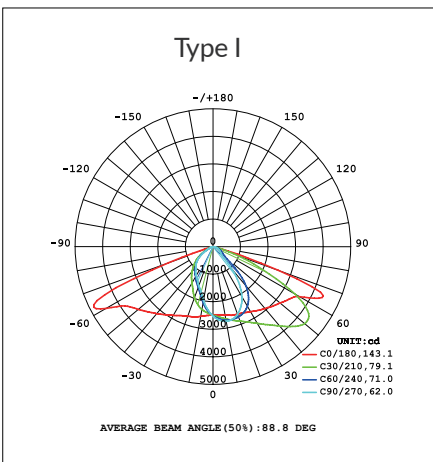
90302
SGA4
Single Gooseneck Arm
for 4" OD Pole



90303
TGA4
Twin Gooseneck Arm
for 4" OD Pole

PHOTOMETRY

All published luminaire photometric testing performed to IESNA LM-79-08 standards by a NVLAP certified laboratory. IESNA LM-79-08 specifies the entire luminaire as the source resulting in a fixture efficiency of 100%. Results may vary per actual order.



EFFECTIVE PROJECTED AREA (EPA)

Corresponding Products	Picture	EPA(ft ²)
VPTP+SGA4+PDL	 <p>With Drop Lens</p>	1.65
VPTB+SGA4		1.52
VPTP+SGA4		0.81
VPTB+TGA4		3.04
VPTP+TGA4		1.62

PERFORMANCE DATA

Lumen values are measured by third party certified laboratories performed in accordance with IESNA LM-79-08 as well as Lighting Facts listed.

Nominal Wattage	System Wattage	Lumen Output	CCT	Distribution Type	CRI	LPW
30W	29W	4060lm	4000K	Type VN	>70	140
60W	59W	8200lm	4000K	Type VN	>70	139
90W	88W	12000lm	4000K	Type VN	>70	137
150W	143W	18700lm	4000K	Type VN	>70	131

BUG RATING TABLE

Performed to IESNA LM-79-08 standards by a NVLAP accredited laboratory.

Model	BUG Rating
VPTB_P_D_40301_T3	B1-U2-G1
VPT_B_P_D_90W_4000K_Type_4	B2-U3-G2

WARRANTY

5 years limited warranty.

Specifications subject to change without notice.