

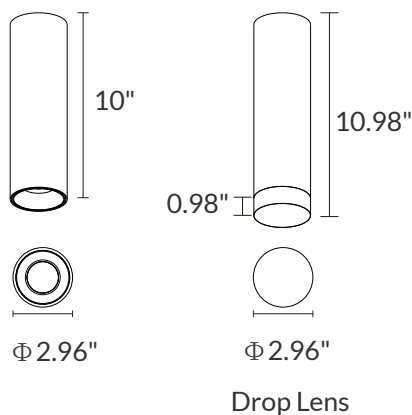


The Melo Cylinder would greatly create possibilities in the whole commercial area. Multiple sizes, beam options , and high visual comfort COB LED. It is now available in pendant surface and wall mount configurations which offers a beautiful and achitectual cylinder solutions.

TECHNICAL DATA

| | |
|------------------------------|---|
| Wattage | 19W/16W/13W/10W/8W/5W |
| Beam Angle | 15°, 24°, 36°, 60° |
| CRI | 90(standard) |
| CCT | 2700K, 3000K, 3500K, 4000K |
| MacAdam Ellipse(SDCM) | <3 step |
| Driver | 0-10V Dimming, dim to 1% TRIAC Dimming |
| Input Voltage | 120-277V, 50/60Hz |
| Operating Temp. | -4°F to 77°F(-20°C to 25°C) |
| Certifications | cULus conforms to UL Std. 1598 Cert. to CSA Std. C22.2 No.250.0 Suitable for damp locations RoHS compliant |
| Power Factor | >0.9 at full load |
| Harmonic Distortion | <20% at full load |
| Projected Lifetime | L70 - 100,000 Hours |

DIMENSIONS



FEATURES

- **Optical Performance:** COB LED chip with a standard CRI of 90+, offering a selection of beam angles including 15°, 24°, 36°, 60° and wall wash.
- **Mounting Options:** Modular design with pendant, surface and wall mount.
- **Modular design:** Fully modular cylinder, configure endless possibilities.

CANOPY OPTIONS

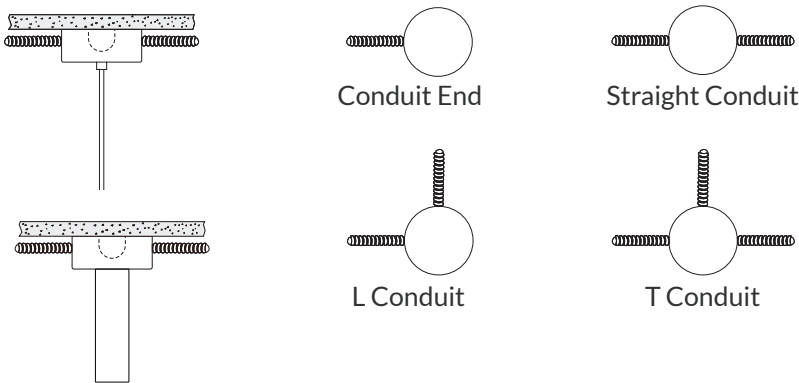
Flat Canopy For Recessed J-box

If J-box is recessed (3" octagon, 4" octagon and 4" round), a 4.5" flat canopy is provided for mounting to recessed junction box in white or black powder coat painted finish.

Conduit Deep Canopy For Conduit surface J-box

If standard 4" octagonal J-box is surface mounted, a $\text{Ø}5.97$ " round x 2.38" deep canopy with conduit cutout is provided for mounting. Conduit cutout canopy has 4 key slots, one in each side, and can be configured to accommodate any ceiling layout using 1/2" or 3/8" conduit. Conduit cutout canopy is provided white and black powder coat painted finish.

Conduit Mounting Example



MOUNTING

Cable Pendant Mount

White/black power cable is provided in length specified (2' nominal, 4' nominal, 8' nominal or 12' nominal). Installers can cut the cable in the field to desired length.

Stem Pendant Mount

$\text{Ø}12/25$ " steel stem is provided in length specified (2' nominal, 4' nominal, 8' nominal or 12' nominal) and is provided in white or black finish.

Surface Mount

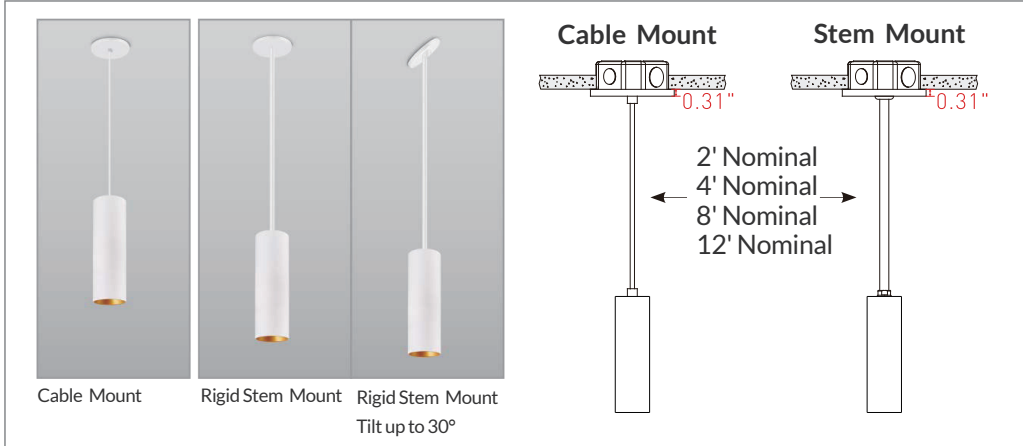
Surface mount to recessed or surface conduit junction box.

Wall Mount

Wall mount to recessed junction box.

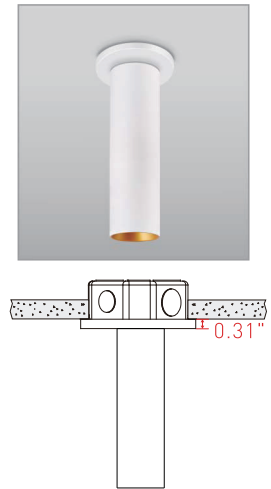
PENDANT OPTIONS

Pendant With Flat Canopy For Recessed J-Box

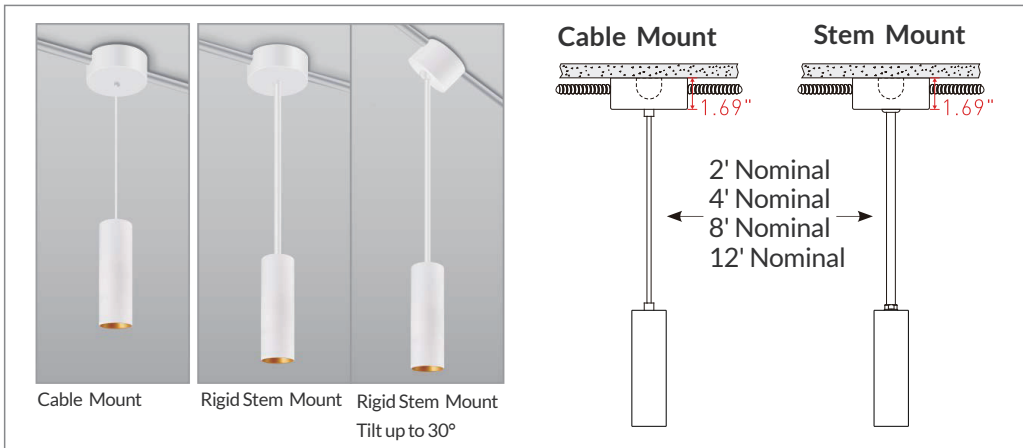


Surface Options

Surface Mount To Recessed Junction Box



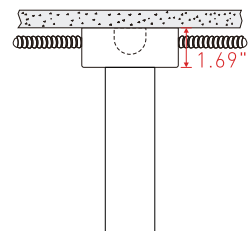
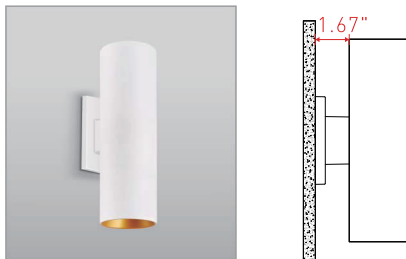
Pendant With Conduit Cutout Deep Canopy For Surface 4" Octagonal Junction Box



Surface Mount With Conduit Cutout For Surface Mounted 4" Octagonal Junction Box



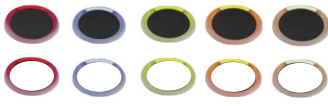


Wall Mount



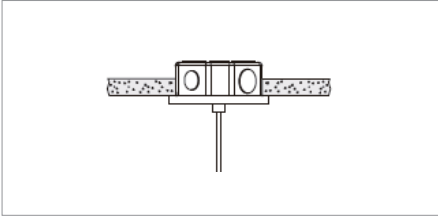
ORDERING INFORMATION

EXAMPLE: MELO0310R-SP30901-01D-SMR-36-WH-2-HCB-WH

| MELO | | | | | | | |
|--|---|--|--|--|---|----------------------|--|
| 1. Series | 2. Size | 3. Shape | 4. Power | 5. CCT | 6. CRI | 7. Voltage | 8. Dimming |
| MELO | 0310 Diameter 3 " Height 10 " | R Round | SP Wattages Selectable 19W/16W/13W /10W/8W/5W <i>*19W is default setting.</i> | 27 2700K 30 3000K 35 3500K 40 4000K | 90 90+ CRI | 1 120-277V | 01D 0-10V dim to 1% or Triac Dimming <i>*Triac dimming only works at 120V.</i> |
| 9. Installation | 10. Beam/Lens | 11. Optics | 12. Cable Length | 13. Options | 14. Housing Finish | | |
| SMR Standard surface mount for recessed J-box <i>*Please order separate accessory for conduit surface mount.</i> ACPMK Aircraft CablePendant Mount Kits <i>*Need to order the aircraft cable pendant mount kits separately.</i> RPMK Rod Pendant Mount Kits <i>*Need to order the rod pendant mount kits separately.</i> WM Wall Mount | 15 15° clear lens 24 24° clear lens 36 36° clear lens 60 60° clear lens <i>*Drop lens is frosted.</i> | <i>Anti-glare reflector</i> WH  White BK  Black GD  Golden CM  Chrome <i>Drop Lens</i> DL  Drop Lens 1 inch thickness <i>Wall Wash</i> WW Wall wash white WB Wall wash black | 2 2FT 4 4FT 8 8FT 12 12FT <i>*4FT is standard.</i> | Blank None HCB Honeycomb <i>*Only for anti-glare reflector.</i> <i>Decorative Light</i> <i>*Only for anti-glare reflector.</i> RDBK RDWH Red and black baffle Red and white baffle BLBK BLWH Blue and black baffle Blue and white baffle GNBK GNWH Green and black baffle Green and white baffle YLBK YLWH Yellow and black baffle Yellow and white baffle TRBK TRWH Transparent +black baffle Transparent +black baffle  | WH White RAL#9003 BK Black RAL#9004 <i>*White or black finish is standard. Custom color is available at an additional charge.</i> | | |

ACCESSORIES (ORDERED SEPARATELY AND FIELD INSTALLED)

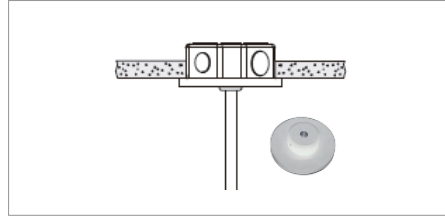
For Recessed Junction Box



MELO-PMK-AC-RM-4-4FT-WH

Aircraft cable mount for 3"/4" MELO, 4ft long cable, white (recessed junction box).

Note:
4ft long is standard. 2ft/8ft/12ft are available. Please contact Customer Service.

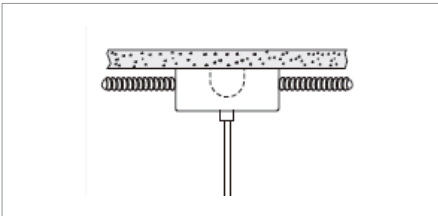


MELO-PMK-RS-RM-4/6/8-4FT-WH

Rigid stem mount for 3"/4"/6"/8" MELO, 4ft long stem, white (recessed junction box).

Note:
4ft long is standard. 2ft/8ft/12ft are available. Please contact Customer Service.

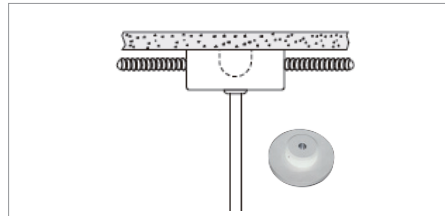
For Conduit Surface Junction Box



MELO-PMK-AC-SM-4-4FT-WH

Aircraft cable mount for 3"/4" MELO, 4ft long cable, white (conduit surface junction box).

Note:
4ft long is standard. 2ft/8ft/12ft are available. Please contact Customer Service.



MELO-PMK-RS-SM-4/6/8-4FT-WH

Rigid stem mount for 3"/4"/6"/8" MELO, 4ft long stem, white (conduit surface junction box).

Note:
4ft long is standard. 2ft/8ft/12ft are available. Please contact Customer Service.



MELO-SMK-SM-SM-4/6/8-WH

Conduit surface mount kits for 3"/4"/6"/8" MELO, white (conduit surface junction box).

ACCESSORIES (ORDERED SEPARATELY AND FIELD INSTALLED)



AAL-EBU-AC08D-YYY

Remote 8W LED Emergency Battery Back-up 120-347VAC

AAL-EBU-AC15D-YYY

Remote 15W LED Emergency Battery Back-up 120-347VAC

AAL-EBU-AC25D-YYY

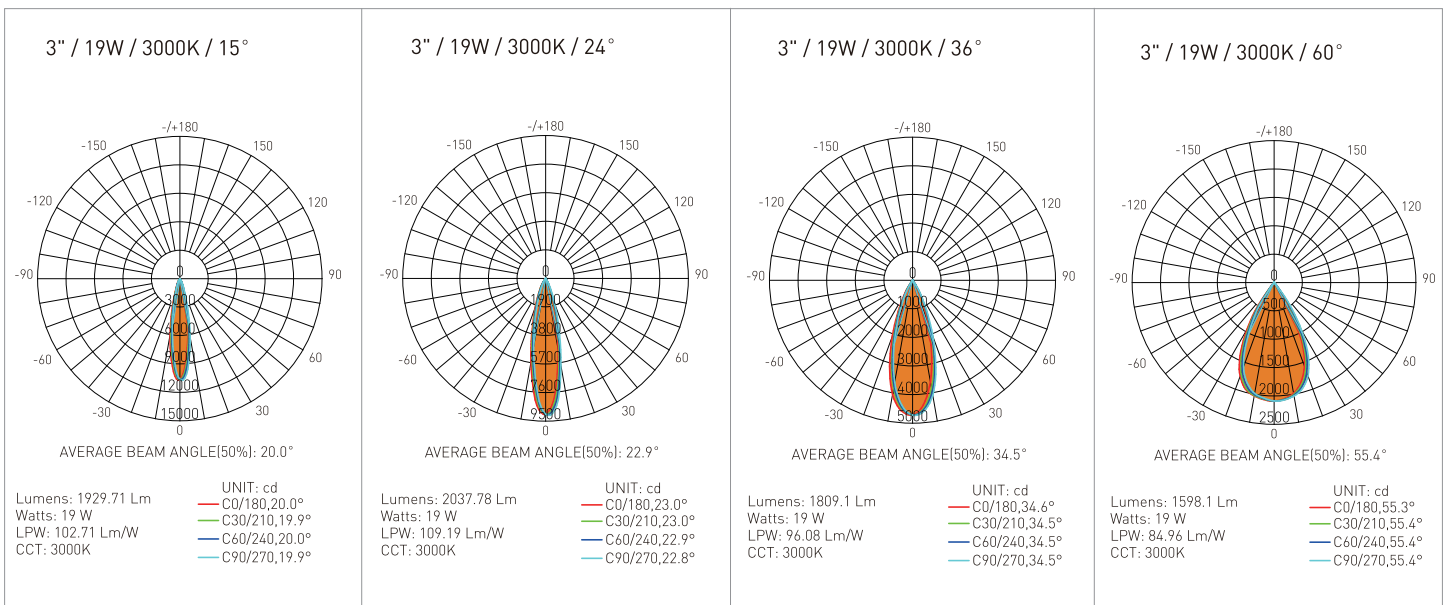
Remote 25W LED Emergency Battery Back-up 120-347VAC

NOTE:

1. The 8W EBU supports up to 60W total lighting load, 15W EBU supports up to 100W total lighting load, while the 25W EBU supports up to 150W total lighting load.
2. The dimming control wire is optional when the combined power of all connected lights is lower than the EBU's rated power.
3. The dimming control wire must be connected when the total power of all connected lights exceeds the EBU's rated capacity.

PHOTOMETRY

All published luminaire photometric testing performed to IESNA LM-79-08 standards by a NVLAP certified laboratory. IESNA LM-79-08 specifies the entire luminaire as the source resulting in a fixture efficiency of 100%. Results may vary per actual order.



PERFORMANCE DATA

Lumen values are measured by third party certified laboratories performed in accordance with IESNA LM-79-08 as well as Lighting Facts listed.

| Size/Wattage | 15°/3000K/White | | 24°/3000K/White | | 36°/3000K/White | | 60°/3000K/White | |
|--------------|-----------------|--------|-----------------|--------|-----------------|--------|-----------------|--------|
| | Efficacy | Lumens | Efficacy | Lumens | Efficacy | Lumens | Efficacy | Lumens |
| 3"/5W | 115lm/w | 575lm | 115lm/w | 575lm | 105lm/w | 525m | 95lm/w | 475lm |
| 3"/8W | 115lm/w | 920lm | 120lm/w | 960lm | 105lm/w | 840lm | 95lm/w | 760lm |
| 3"/10W | 115lm/w | 1150lm | 115lm/w | 1150lm | 105lm/w | 1050lm | 95lm/w | 950lm |
| 3"/13W | 110lm/w | 1430lm | 115lm/w | 1490lm | 105lm/w | 1365lm | 90lm/w | 1170lm |
| 3"/16W | 105lm/w | 1680lm | 110lm/w | 1760lm | 105lm/w | 1600lm | 80lm/w | 1280lm |
| 3"/19W | 100lm/w | 1900lm | 105lm/w | 1995lm | 95lm/w | 1805lm | 80lm/w | 1520lm |

Remark: The lumens are subject to 3000K 90+ with white anti-glare trim. Lumen output may vary ± 5% base on different CCT, beam angle, and trim.

DIMMER COMPATIBLE

0-10V Dimming(Dim to 1%)

| LEVITON | LUTRON | LEVITON | LUTRON | LEGRAND | LUTRON | LEVITON |
|---------|---------|-----------|--------|------------|--------|---------|
| DD710 | MS-Z101 | AWSMT-7DW | NTSTV | RH4FBL3PTC | DVSTV | IP710 |
| X | X | X | √ | √ | √ | √ |

TRIAC Dimming

| | | | | | | |
|--------|-----------|------------|----------|--------------|-------------|----------|
| DV600P | DVCL-153P | 6683 | DV603P | 6672 | MSCL-DP153M | CT-603PG |
| √ | √ | √ | √ | √ | √ | √ |
| S-603P | LG-600P | TGCL-153DH | SCL-153P | 6674-LEVITON | CTCL-153P | |
| √ | √ | √ | √ | √ | √ | |