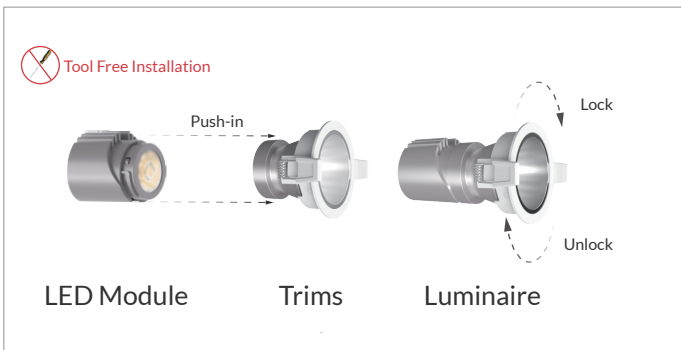


# 4" CORLA DOWNLIGHT

## Deep Anti-glare Series



The Corla Downlight System revolutionizes interior lighting through modular adaptability. Featuring precision-engineered optics and adjustable configurations, the system delivers exceptional light quality with superior optical control.

### TECHNICAL DATA

<b>Wattage</b>	20W, 25W (single module)
<b>CRI</b>	90, SDCM<3
<b>CCT</b>	2700K, 3000K, 3500K, 4000K Dim to Warm: 2000K-3000K
<b>Dimming</b>	Triac dimming (1%-100%) 0-10V dimming (3%-100%)
<b>Input Voltage</b>	120-277V, 50/60Hz
<b>Projected Lifetime</b>	L80-50,000 hours
<b>Working Temperature</b>	-4°F to 104°F (-20°C to 40°C)
<b>Certifications</b>	ETL Listed to US and Canadian standards Suitable for damp locations RoHS compliant
<b>Power Factor</b>	>0.9 at full load
<b>Harmonic Distortion</b>	<20% at full load

### FEATURES

- **Super Modular Design:** 2 mounting trims and tool-free interchangeable components.
- **Precise Light Control:** 4 beam angles (15°/24°/38°/55°), URG<9, anti-glare accessories, and a 48° cutoff angle.
- **Versatile Project Adaptability:** supports general lighting, spot/flood and accent lighting.
- **Optimized Thermal Performance:** guarantees long-term durability and consistent luminous performance.

# 4" CORLA DOWNLIGHT

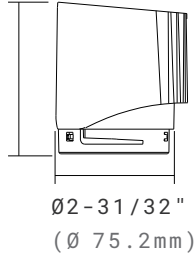
## Deep Anti-glare Series

### SPECIFICATION

#### LED Module



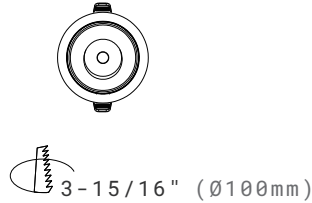
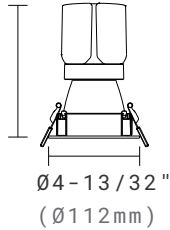
3-25/64"  
(86mm)



#### Trims



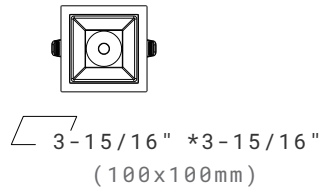
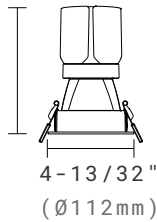
6-11/32"  
(161mm)



Round Fixed

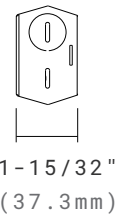
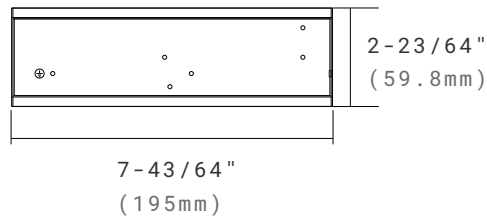
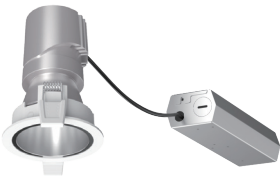


6-11/32"  
(161mm)



Square Fixed

#### Remodel Mounted Driver



### ORDERING INFORMATION

**EXAMPLE** COR 04 20 35 90 1 XD 38

1            2            3            4            5            6            7            8

#### 1. Series

- COR- Corla LED Module

#### 2. Size

- 04 - 4 inch Module

#### 3. Wattage (single module)

- 20- 20W       25- 25W

#### 4. CCT

- 27- 2700K       30- 3000K  
 35- 3500K       40- 4000K  
 DTW- 2000K-3000K dim to warm

#### 5. CRI

- 90 - 90Ra

#### 6. Voltage

- 1- 120-277V

#### 7. Dimming

- XD - 0-10V/Triac Dimming

#### NOTE:

1. Triac dimming only works on 120VAC.

#### 8. Beaming Angle

- 15 - 15°       24 - 24°  
 38 - 38°       55 - 55°

#### Mounting Accessory Options



- RIP-55135  
 RIP-70145

New construction pre-mounting plate for Corla Downlight.

#### NOTE:

1. Please refer to the Selection Guide to select proper plate.



#### Trim Options

- CORD04-R-DL-WH  
 Deep Anti-glare series, round trim, fixed, white trim 
- CORD04-S-DL-WH  
 Deep Anti-glare series, square trim, fixed, white trim 

#### NOTE:

1. White trim is standard finish. Custom colors are available at an additional fee.

#### Optical Accessory Options

- COR04-HCB   
 Honeycomb Filter
- COR04-BSL   
 Beam Soft Lens

#### Emergency Battery Back-up Option

- AAL-EBU-AC08D-YYY  
 Remote 8W LED Emergency Battery Back-up 120-347VAC
- AAL-EBU-AC15D-YYY  
 Remote 15W LED Emergency Battery Back-up 120-347VAC
- AAL-EBU-AC25D-YYY  
 Remote 25W LED Emergency Battery Back-up 120-347VAC



#### NOTE:

1. A single EBU can power multiple light fixtures. The 8W EBU supports up to 60W total lighting load, 15W EBU supports up to 100W total lighting load, while the 25W EBU supports up to 150W total lighting load.
2. The dimming control wire is optional when the combined power of all connected lights is lower than the EBU's rated power.
3. The dimming control wire must be connected when the total power of all connected lights exceeds the EBU's rated capacity.

### ROUGH-IN PLATE SELECTION GUIDE

To ensure a proper fit, select the correct rough-in plate by matching it to your fixture's cutout size.

Follow the 2 steps below:

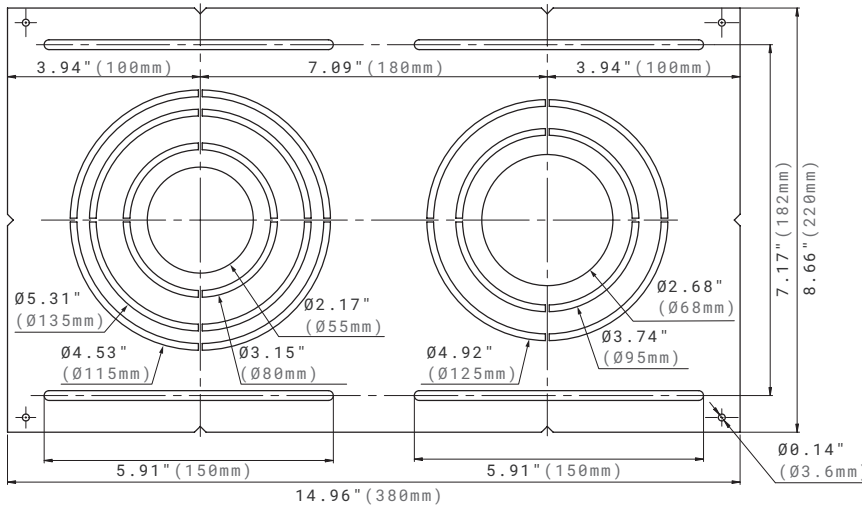
**Step 1.** Identify the Cutout Size: Locate the Corla Downlight model in the table below and note its required cutout dimension.

**Step 2.** Match the Plate: Using the diagram that follows, find the rough-in plate part# that corresponds to the cutout size you identified in Step 1.

**Corla Downlight Cutout Dimension Table**

Model	Hotel	Residential	Commercial	Deep Anti-Glare	Wall Washer
COR02	Ø2.17"(55mm)	Ø2.17"(55mm)	Ø2.56"(65mm)	/	/
COR03	Ø2.95"(75mm)	Ø2.95"(75mm), Ø2.68"(68mm)	Ø3.15"(80mm)	Ø2.95"(75mm)	Ø2.95"(75mm)
COR04	Ø3.94"(100mm)	Ø4.53"(115mm), Ø3.94"(100mm)	Ø3.74"(95mm)	Ø3.94"(100mm)	/
COR05	Ø4.92"(125mm), Ø4.8"(122mm)	Ø4.33"(110mm), Ø4.92"(125mm) Ø5.12"(130mm), Ø5.31"(135mm)	Ø4.53"(115mm)	Ø4.92"(125mm)	/

### Rough-in Plate



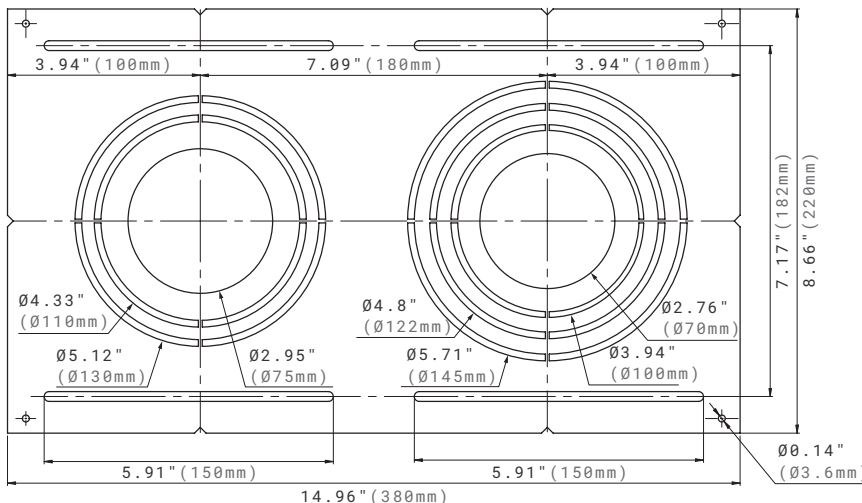
Part#

**RIP-55135**

New construction pre-mounting plate for Corla Downlight.

Compatible cutouts:

- Ø2.17"(Ø55mm)
- Ø2.68"(Ø68mm)
- Ø3.15"(Ø80mm)
- Ø3.74"(Ø95mm)
- Ø4.53"(Ø115mm)
- Ø4.92"(Ø125mm)
- Ø5.31"(Ø135mm)



Part#

**RIP-70145**

New construction pre-mounting plate for Corla Downlight.

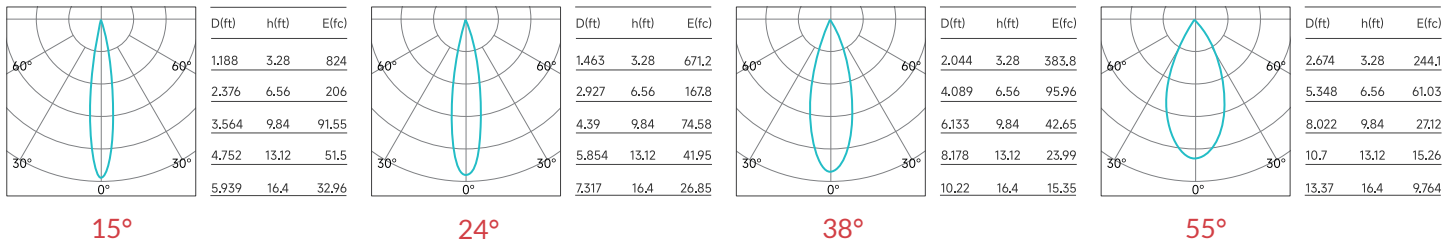
Compatible cutouts:

- Ø2.76"(Ø70mm)
- Ø2.95"(Ø75mm)
- Ø3.94"(Ø100mm)
- Ø4.33"(Ø110mm)
- Ø4.8"(Ø122mm)
- Ø5.12"(Ø130mm)
- Ø5.71"(Ø145mm)

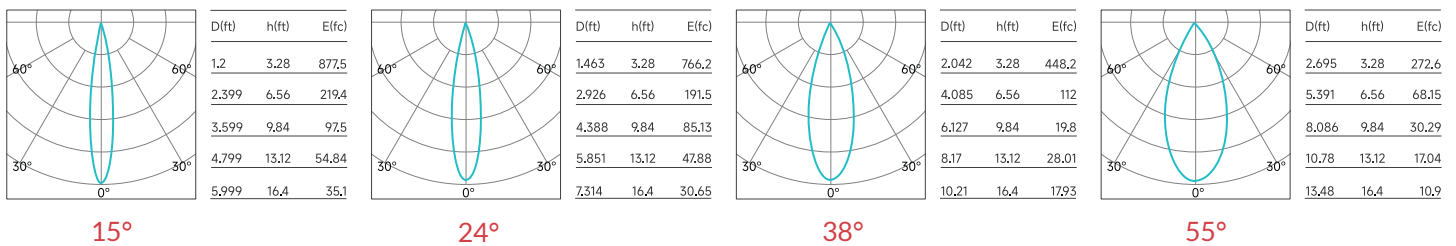
### PHOTOMETRY

All published luminaire photometric testing performed to IESNA LM-79-08 standards by a NVLAP certified laboratory. IESNA LM-79-08 specifies the entire luminaire as the source resulting in a fixture efficiency of 100%. Results may vary per actual order.

#### 20W



#### 25W



Above test data is based on **Round** trim with 3000K 90CRI LED.

### PERFORMANCE DATA

POWER	CCT	CRI	BEAM OPTIC	LUMENS (lm)	EFFICACY (lm/W)	MAX CANDELA (cd)
20W	3000K	90	15°	1509	78	8876
			24°	1575	82	7166
			38°	1493	78	4132
			55°	1495	78	2601
25W	3000K	90	15°	1684	74	9450
			24°	1803	78	8196
			38°	1741	76	4821
			55°	1691	74	2917

Above test data is based on **Round** trim with 3000K 90CRI LED.

### LUMEN MULTIPLIERS

CCT	MULTIPLIER
2700K	0.95
3000K	1.00
3500K	1.04
4000K	1.06