

SUITABLE FOR MODEL



⚠ WARNING

To avoid the risk of fire, or electric shock this product should be installed, inspected, and maintained by a qualified electrician only. Installation should be completely by an individual familiar with the construction and operation of the luminaire. Installation of luminaire must be in accordance with nation and local building and electrical codes.

Safety Warning:

To avoid electric shock:

Be certain electrical power is OFF before and during installation and maintenance.

Luminaire must be supplied by a wiring system with an equipment grounding conductor.

To avoid burning hands:

Make sure lens and housing are cool when performing maintenance.

To avoid product degradation:

Make sure the wire supply voltage is the same as the luminaire supply

Use proper supply wiring as specified on the luminaire nameplate.

Avoid use in environments containing sulfur, chlorine, or other halides, methyl acetate or ethyl acetate, cyanoacrylates, glycol ethers, formaldehyde or butadiene.

Notes:

Instructions do not cover all details and all possible product configurations.

Do not restrict luminaire ventilation.

Ensure LED luminaire is not covered with material that will prevent convection or conduction cooling.

Ensure LED luminaire has the correct polarity before installation

Avoid exposing wiring to metal edges and sharp objects.

Maintenance:

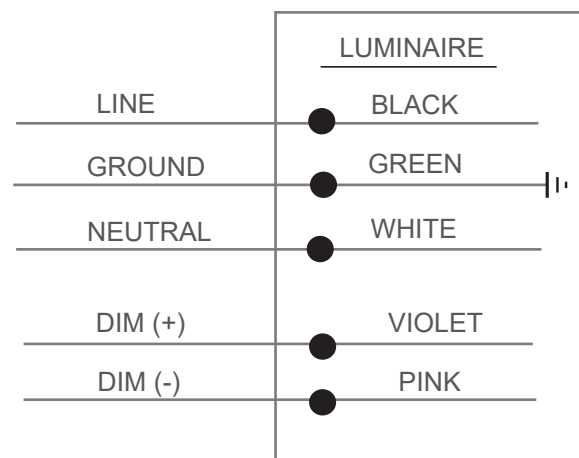
Perform visual, electrical, and mechanical inspections on a regular basis. The environment and frequency of use should determine this. However, it is recommended that checks be made at least once a year. Electrically check to make sure that all connections are clean and tight. Mechanically check that all parts are properly assembled.

WIRE CONNECTION

Universal Voltage permits operation at 120VAC thru 347VAC, 50 or 60 Hz.

- Connect the black luminaire lead to the supply lead.
- Connect the white luminaire lead to the neutral supply lead.
- Connect the green or green/yellow ground lead to the green supply lead.

- If Dimming is an option; connect the violet dimming positive lead to the supply dimming positive lead. If dimming is not being used, ensure to cap off the violet lead.
- If Dimming is an option; connect the pink dimming negative lead to the supply dimming negative lead. If dimming is not being used, ensure to cap off the pink lead.

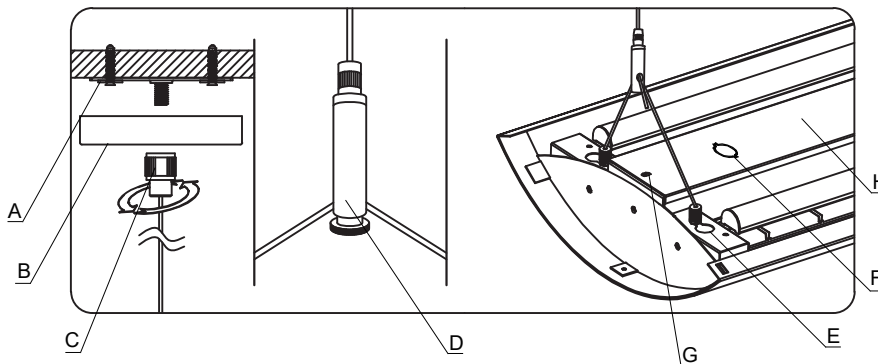


INSTALLATION

SUSPENDED MOUNT

1. Locate the mounting points. The mounting hole distance is 46.46"(1180mm).
2. Depending on structural conditions, Install Mounting Plates (2) to a Junction box and mounting surface by customer supplied anchor screws, toggle bolts or suitable fasteners.
3. Pull the supply lead through the hole on a Canopy. Secure Canopies (2) to the Mounting Plates by tightening the Cable Holders (2).
4. Install Aircraft Cables(2) into the Keyhole Slots on the fixture.
5. Open the Base Plate by removing Scews (2). Feed the supply lead into the fixture through the Wiring Knockouts.
6. Make wire connections with wire nuts in the fixture. All wires and terminals need to be pushed into the fixture and no wires get pinched.
7. Replace the Base Plate and secure it to the fixture by removed scews.
8. The following settings can be adjusted if needed.
 - a. Adjust the Aircraft Cable to a desired length by pushing the top of Regulator.
 - b. Adjust the CCT by DIP switches at the side of the fixture according to your requirement. Default is 4000K.
 - c. The two top light tubes can also be rotated if needed.

■ Suspended Mounting



- A. Mounting Plate
- B. Canopy
- C. Cable Holder
- D. Regulator
- E. Keyhole Slots for Pendant
- F. Wiring Knockouts
- G. Scew
- H. Base Plate

■ Continuous Mounting

Fixture can be continuous run mounted by the curved mounting bracket and screws (4)

