



SAFETY INSTRUCTION



READ CAREFULLY BEFORE INSTALLING FIXTURE. PLEASE KEEP THIS MANUAL FOR FUTURE USE.

Fixtures must be wired in accordance with the National Electrical Code and all applicable local codes. Proper grounding is required for safety.

THIS PRODUCT MUST BE INSTALLED IN ACCORDANCE WITH THE APPLICATION CODE BY A PERSON FAMILIAR WITH THE CONSTRUCTION AND OPERATION OF THE PRODUCT AND THE HAZARDS INVOLVED.

MAKE CERTAIN POWER IS OFF BEFORE INSTALLING OR MAINTAINING FIXTURE.

CHECK THAT VOLTAGE IS COMPATIBLE WITH FIXTURE DRIVER. USE APPROVED CONNECTORS FOR ALL ELECTRICAL CONNECTIONS.

MAINTENANCE CAUTION



1. Review the wire connection before beginning, and make sure fixture is grounded properly.
2. For lighting controls, follow control instructions carefully.
3. Turn power off and wait for fixture to cool before performing maintenance.
4. Maintenance must be done by professionals.



BEFORE YOU BEGIN

Read and follow all safety instructions



Prepare Electrical Wiring



Electrical Requirements

- The LED driver must be supplied with the voltage specified on the product label and connected to an individual, properly grounded branch circuit protected by a 20A circuit breaker. Use min. 75°C supply.

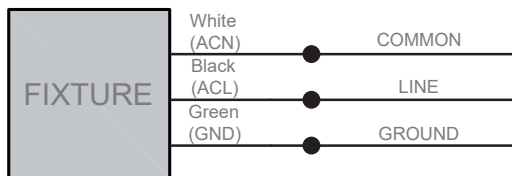


Grounding Instructions

- The grounding and bonding of the overall system shall be done in accordance with NEC Article 600 and local codes.

WIRE CONNECTION

Universal Voltage permits operation at 120VAC thru 277VAC, 50 or 60 Hz.



Make the following Electrical Connection:

- a). Connect the voltage supply Line to our AC-L.
- b). Connect the voltage Neutral supply to our AC-N line.
- c). Connect the green/yellow ground lead to the supply ground lead.

INSTALLATION

WARNING

Risk of injury or damage. Make certain power is OFF before installing or maintaining fixture.

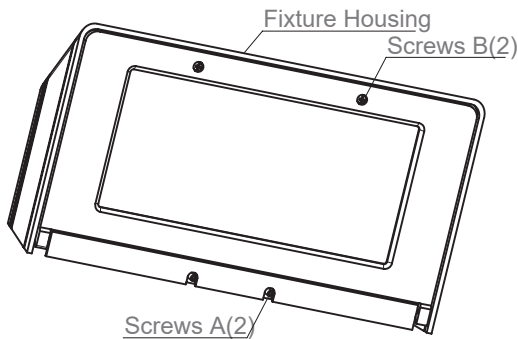
NOTES:

Before mounting, make sure to align Bollard Base in the orientation that will result in the desired bollard fixture orientation.

Tools Required:

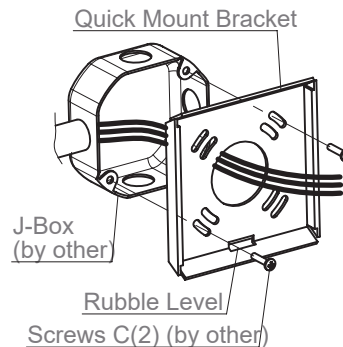
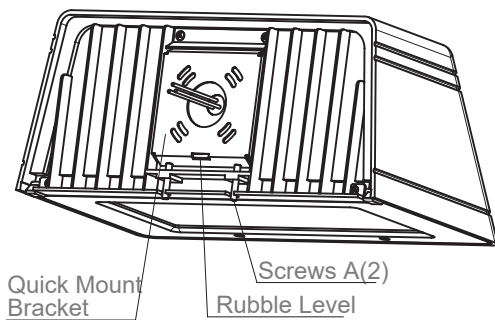
Hex Key Set, Wire Strippers, Wire Cutters

Step 1: Loosen the two (2) set screws A found on the bottom of the fixture housing.

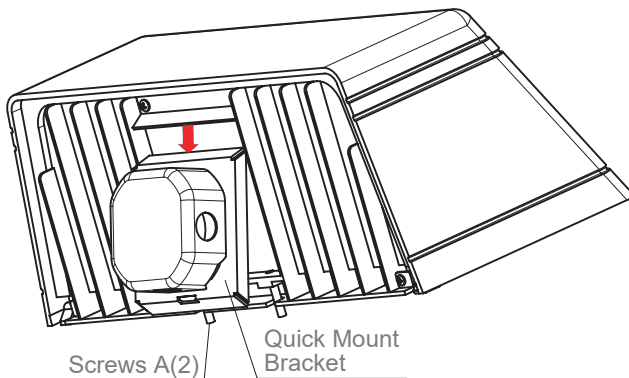


Step 2: Remove the quick mount bracket from the fixture and attach it to the junction box with the appropriate hardware (not included).

Step 3: Make the wiring connections according to the wiring diagram on Page 1. Push excess wire into the junction box.



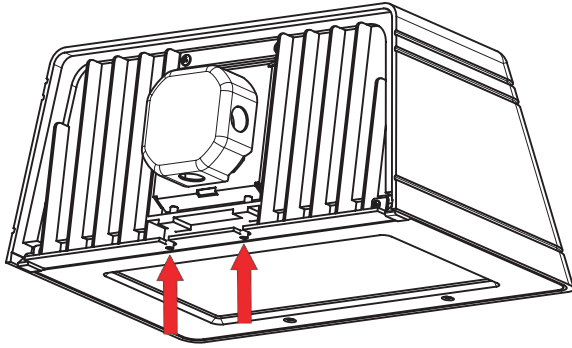
Step 4: Lift the fixture and tilt slightly toward the quick mount bracket. Hook the fixture housing onto the quick mount bracket as shown. Take care not to pinch any wires.



INSTALLATION

Step 5: Tighten the two (2) set screws to secure the fixture housing to the quick mount bracket.

Step 6: Restore power and check that the fixture is functioning properly.



WATTAGE / CCT ADJUSTMENT

Step 1: With the supply power off, open the bottom cover and carefully detach the LED reflector assembly. Adjust the fixture to the desired wattage and CCT by the switch. Factory setting is 45W, 4000K(4K).

