



DARKSKY APPROVED
Reduces Light pollution
Certified by DarkSky.org

The Pillar Round LED Pole Light is well constructed with high quality extruded aluminum, UV powder coated, featuring tempered safety glass, moulded silicone gasket and stainless steel screws. This impressive pole light is an excellent choice for walkways, entrances, promenades, plazas, courtyards, driveways, bridges, and landscaped areas.

TECHNICAL DATA

Wattage	25W, 45W
CRI	80-Standard
CCT	2700K, 3000K, 4000K
Driver	0-10V Dimming is standard
Input Voltage	120-277VAC, 50/60Hz
Operating Temp.	-40°F to 104°F (-40°C to 40°C)
Certifications	cETL Listed RoHS compliant DarkSky approved for CCT of 3000K and below
Power Factor	>0.9 at full load
Harmonic Distortion	<20% at full load
Projected Lifetime	L70 - 100,000 Hours
IP Rating	IP65
EPA (pole is not included)	2.8ft ²

FEATURES

- **Durable Construction:** The robust protection system ensures exceptional corrosion and weather resistance, providing long term reliability in demanding environments.
- **Adjustability & Adaptability:** Customizable pole height and finish color.

PERFORMANCE DATA

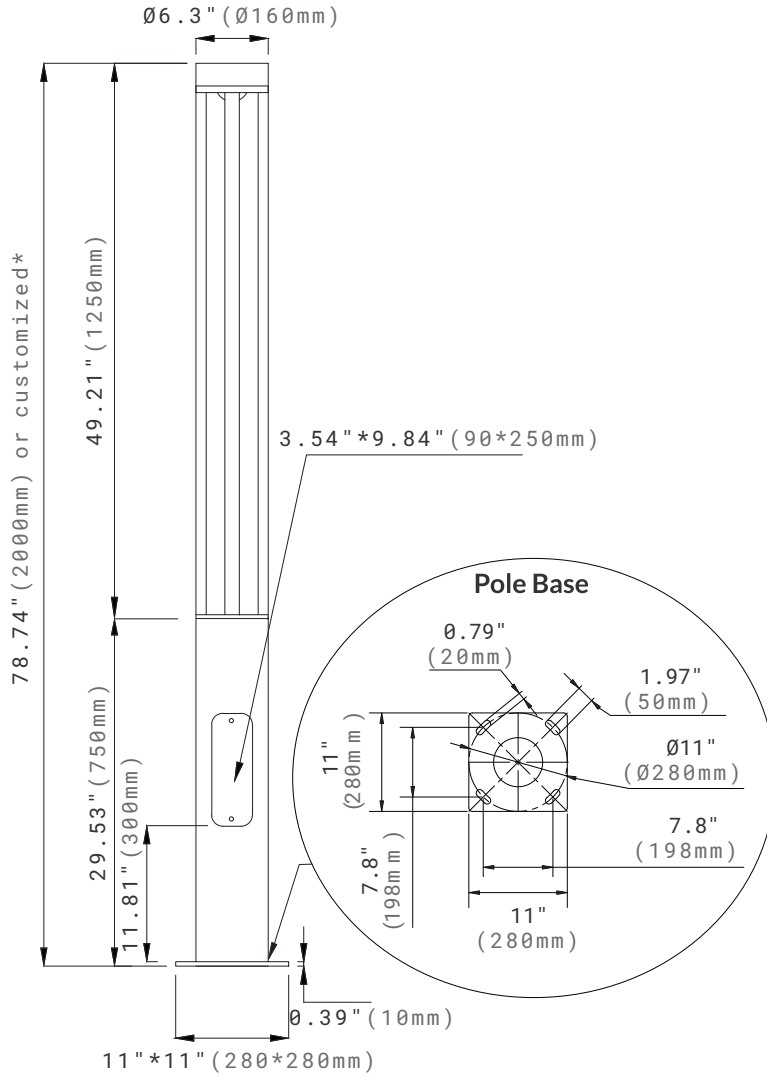
Lumen values are measured by third party certified laboratories performed in accordance with IESNA LM-79-08 as well as Lighting Facts listed.

Nominal Wattage	Lumen Output	CCT	CRI
25W	1800lm	4000K	80
45W	3800lm	4000K	80

DIMENSION

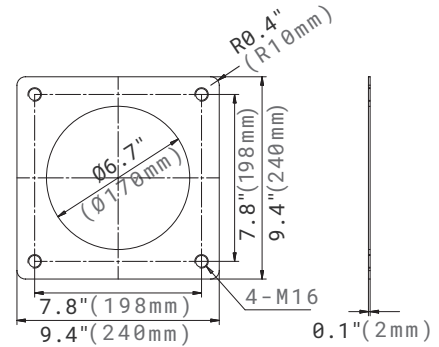
Projection Detail (Not to Scale)

Pole Wall Thickness: 0.126"



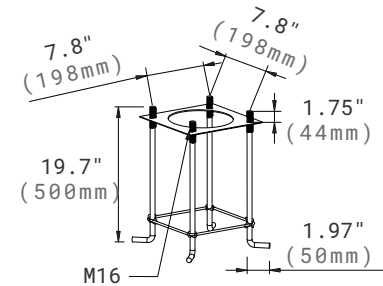
Anchor Bolt Plate

Use caution when setting anchor bolts. Bolts must be vertically straight and centered on dimensions shown.



Note: Adequate drainage must be provided in concrete foundation.

Anchor Bolt Detail



NOTE:

1. Customized overall height is 18ft (5.5 meters). Please confirm the final drawing with the Customer Service.

ORDERING INFORMATION

Standard Model

EXAMPLE: PRPL-4FT-4530801-BK

PRPL							
Series	Pillar Height	Wattage	CCT	CRI	Voltage	Control	Finish
PRPL	4FT 4.1 feet ¹	25 25W 45 45W	27 2700K 30 3000K 40 4000K	80 CRI80	1 120-277V	BLANK 0-10V Dimming Driver	BK Black RAL#9005 ² BZ Bronze RAL#8019 ²

NOTE:

1. Pillar and pole height can be customized. Pole need to be ordered separately. Please check with Customer Service for details.
2. Standard Finish is Black and Bronze. Custom colors might be available at an additional charge.

ORDERING INFORMATION

DarkSky-Approved Model

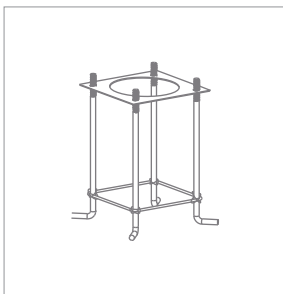
EXAMPLE: PRPL-4FT-4530801-BK

PRPL Series	Pillar Height	Wattage	CCT	CRI	Voltage	Control	Finish
PRPL	4FT 4.1 feet ¹	25 25W 45 45W	27 2700K 30 3000K	80 CRI80	1 120-277V	BLANK 0-10V Dimming Driver	BK Black RAL#9005 ² BZ Bronze RAL#8019 ²

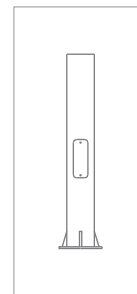
NOTE:

1. Pillar and pole height can be customized. Pole need to be ordered separately. Please check with Customer Service for details.
2. Standard Finish is Black and Bronze. Custom colors might be available at an additional charge.

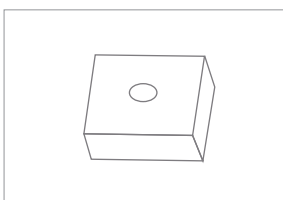
ACCESSORIES (ORDER SEPARATELY)



ABMK-M16-7.8
Galvanized Anchor bolts mounting kits for round pole up to 18FT. Mounting hole 7.8"x7.8", M16x19.7"(500mm)



PRPL-ALRP-2.5FT-0.126-BK
Aluminum round pole Ø6.3", 2.5ft, wall thickness: 0.126", black.
* Pole height and finishcolor can be customized. The height is only for the pole not including the top luminaire.



PBC6-BK
Pole Base Cover for Dia. 6.3" (O.D.)pole, Black.

POLE DATA CHART

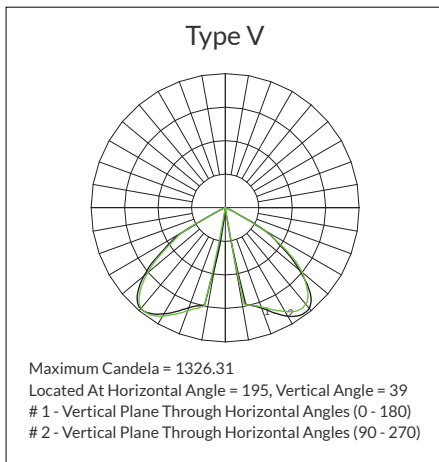
Pole Height	Wall Thickness	Pole Diameter (O.D.)	Pole Material	Pole EPA	Max Basic Wind Speed
2.46ft	0.126"	Ø6.7"	Aluminum	1.91ft ²	180mph

Notes:

1. The wind speed datas are based on allowable design wind speed (VASD).
2. Rated performance is dependant upon the pole being properly attached to a supporting foundation of adequate design.

PHOTOMETRY

All published luminaire photometric testing performed to IESNA LM-79-08 standards by a NVLAP certified laboratory. IESNA LM-79-08 specifies the entire luminaire as the source resulting in a fixture efficiency of 100%. Results may vary per actual order.



BUG RATING TABLE

Performed to IESNA LM-79-08 standards by a NVLAP accredited laboratory.

Model	BUG Rating
PRPL-2540801	B1-U0-G0
PRPL-4540801	B2-U0-G1

WARRANTY

5 years limited warranty.

Specifications subject to change without notice.