



The Versatile Series Round Bollard features a simple and sleek design. It offers symmetric and asymmetric distributions in 20", 35" and 42" heights. House side shield is available. This bollard is an excellent choice for walkways, entrances, promenades, plazas, courtyards, driveways, bridges, and landscaped areas.

## TECHNICAL DATA

|                            |                                  |
|----------------------------|----------------------------------|
| <b>Wattage</b>             | Selectable 22W                   |
| <b>CCT</b>                 | Selectable 3000K/4000K/5000K     |
| <b>Driver</b>              | 1-10V Dimming                    |
| <b>CRI</b>                 | 70 is standard<br>80 is optional |
| <b>Input Voltage</b>       | 120-277V, 50/60Hz                |
| <b>Projected Lifetime</b>  | L70-100,000 Hours                |
| <b>Operating Temp.</b>     | -22°F to 122°F (-30°C to 50°C)   |
| <b>Certifications</b>      | cETL Listed<br>RoHS compliant    |
| <b>Power Factor</b>        | >0.9 @120Vac                     |
| <b>Harmonic Distortion</b> | <20% at full load                |
| <b>IP Rating</b>           | IP65                             |
| <b>IK Rating</b>           | IK10                             |

## FEATURES

- Simple and sleek design.
- House side shield available.
- 20", 35" and 42" height optional.
- Wattage and CCT selectable.

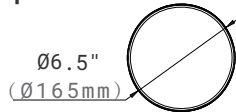
## SPECIFICATION

### Dimension

#### 20" Height

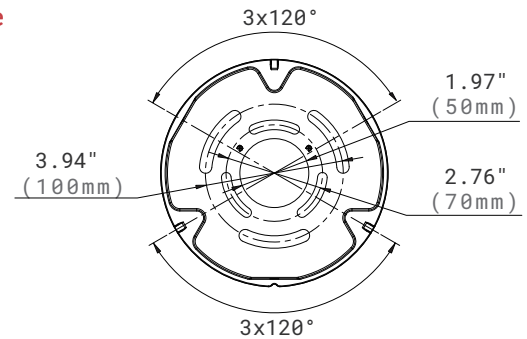
D: 6.5"  
 H: 19.69"  
 Max Weight: 12lbs  
 EPA: 1.07ft<sup>2</sup>

#### Top View



#### Anchor Bolts

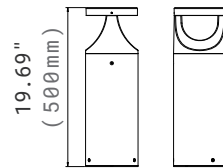
#### Template



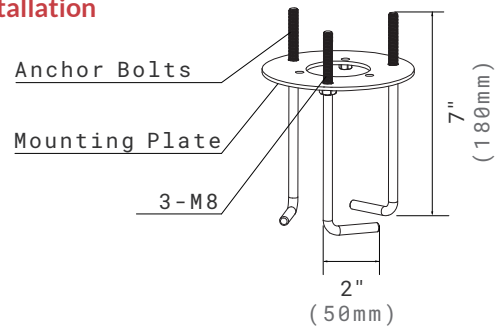
#### 35" Height

D: 6.5"  
 H: 35.43"  
 Max Weight: 15.4lbs  
 EPA: 1.92ft<sup>2</sup>

#### Side View

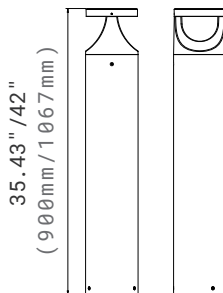


#### Installation



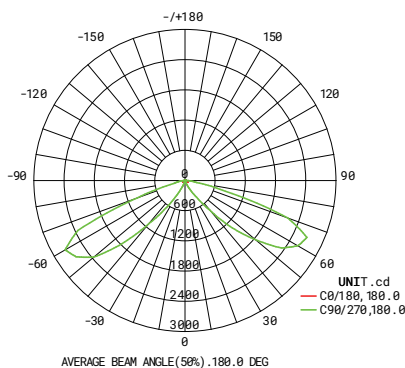
#### 42" Height

D: 6.5"  
 H: 42"  
 Max Weight: 17.8lbs  
 EPA: 1.92ft<sup>2</sup>

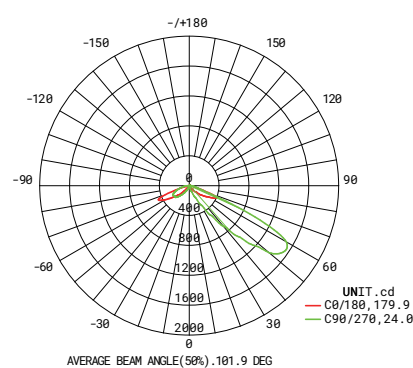


## PHOTOMETRY

All published luminaire photometric testing performed to IESNA LM-79-08 standards by a NVLAP certified laboratory. IESNA LM-79-08 specifies the entire luminaire as the source resulting in a fixture efficiency of 100%. Results may vary per actual order.



Type V



Type III

## ORDERING INFORMATION

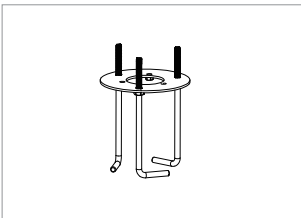
EXAMPLE: VBD-22SP-SW1-V-BK

| Series  | Height  | Wattage   | CCT   | Voltage       | Control                             | Distribution                       | Finish                                |
|---|---|---|---|---------------|-------------------------------------|------------------------------------|---------------------------------------|
| VBD <sup>1</sup><br>Versatile<br>Bollard <sup>1</sup> | <i>Order and shipped separately<sup>1</sup></i><br><br>20H<br>20"<br>Height<br><br>35H<br>35"<br>Height<br><br>42H<br>42"<br>Height | 22SP <sup>2</sup><br>Selectable <sup>2</sup><br>22W | SW <sup>3</sup><br>Selectable <sup>3</sup><br>3000K<br>4000K<br>5000K | 1<br>120-277V | BLANK<br>1-10V<br>Dimming<br>Driver | V<br>Type V<br><br>III<br>Type III | BK <sup>4</sup><br>Black <sup>4</sup> |

### NOTE:

1. The Bollard Head and Bollard Pole are ordered separately.
2. 22W is default setting. The power could be set into 30%, 50%, 75% and 100%.
3. 3000K is default setting.
4. Standard finish is Black; Custom finish colors are available at an additional charge. Please contact Customer Service for details.

## ACCESSORIES(ORDERED SEPARATELY)



**90599**  
**ABMK03**  
Anchor Bolts Mounting Kits.



**90751**  
**VBD-20HP-BK**  
20" Height Black Finish.



**90750**  
**VBD-HSS-BK**  
House Side Shield  
Black Finish.

**90745**  
**VBD-35HP-BK**  
35" Height Black Finish.

**91847**  
**VBD-42HP-BK**  
42" Height Black Finish.

## PERFORMANCE DATA

Lumen values are measured by third party certified laboratories performed in accordance with IESNA LM-79-08 as well as Lighting Facts listed.

### Lumen Output

| Wattage | Lumen Output | AC Input<br>120V | CRI | CCT   | Distribution Type |
|---------|--------------|------------------|-----|-------|-------------------|
| 22W     | 2230lm       | 0.18A            | 70  | 3000K | Type V            |
| 16.5W   | 1700lm       | 0.14A            | 70  | 3000K | Type V            |
| 11W     | 1200lm       | 0.09A            | 70  | 3000K | Type V            |
| 6.6W    | 700lm        | 0.05A            | 70  | 3000K | Type V            |

### Lumen Multiplier

| 3000K | 4000K |
|-------|-------|
| 0.93  | 1     |

## BUG RATING TABLE

Performed to IESNA LM-79-08 standards by a NVLAP accredited laboratory.

| Model                       | BUG Rating |
|-----------------------------|------------|
| VBD_22SP_SW1_V_BK_22W_3000K | B1-U2-G1   |
| VBD_22SP_SW1_V_BK_22W_4000K | B1-U2-G1   |
| VBD_22SP_SW1_V_BK_22W_5000K | B1-U2-G1   |

## WARRANTY

5 year limited warranty.

Specifications subject to change without notice.