

2" MAGIC SUSPENDED LINEAR LIGHT

Direct and Indirect Light



This Magic LED linear fixture is a 2" wide linear architectural luminaire with a slim and discreet profile. The Magic available in standard lengths of 2', 3', 4', and 8', and can be joined together in seamless runs of desired length. The Magic is an affordable indirect/direct linear LED luminaire. Various optical design delivers uniform, continuous lines of light. Different pattern joiners available for unlimited lighting pattern design.

TECHNICAL DATA

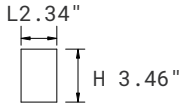
Length	2ft, 3ft, 4ft, 8ft
CRI	80
CCT	3000K, 3500K, 4000K
Dimming	1-10V Dimming
Compatible Dimmer	LUTRON: DVSTV LEVITON: IP710
Input Voltage	120-277V, 50/60Hz
Operating Temp.	-4°F to 104°F (-20°C to 40°C)
Certifications	cULus conforms to UL Std. 1598 Cert. to CSA Std. C22.2 No.250.0 Suitable for damp locations RoHS compliant
Power Factor	>0.9 at full load
Harmonic Distortion	<20% at full load
Projected Lifetime	L70-100,000 Hours

FEATURES

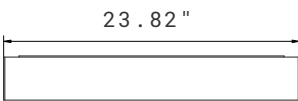
- Comes in lengths of 2', 3', 4', and 8'.
- Direct and indirect.
- Available with several lit joiner accessories for unlimited lighting pattern design.
- Professional lenses available in flush diffused, louver, micro reflector and regress lens.
- Microwave sensor and EBU are available.

SPECIFICATION

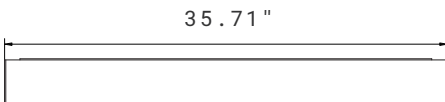
Side View



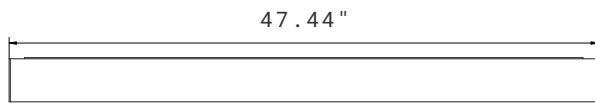
2ft



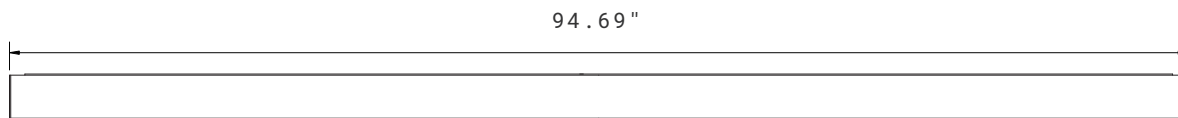
3ft



4ft



8ft



2" MAGIC SUSPENDED LINEAR LIGHT

Direct and Indirect Light

ORDERING INFORMATION

EXAMPLE: MAG1223-SW1-PSM-SD-FDL

MAG					
1. Series	2. Length	3. Width	4. Driver	5. CCT	6. Voltage
MAG Magic	06 2ft 09 3ft 12 4ft 24 8ft Option¹ Desired System Length	23 2.3 Inch	BLANK Integral	<i>Selectable CCT</i> SW² Selectable 3000K 3500K 4000K ² <i>Single CCT³</i> 30 3000K 35 3500K 40 4000K	1 120-277V
	7. Mounting Options	8. Light Distribution	9. Lens Options	10. Finish	
	PSM Suspended and surface mounted <i>Please refer to the following accessory table to choose the right mounting kits.</i>	SD Following options available by dip switch 100% Uplight 10% down, 90% up 30% down, 70% up 50% down, 50% up 70% down, 30% up 90% down, 10% up 100% Downlight ⁴	FDL Flush Diffused Lens RGL⁶ Regressed Lens LVL⁶ Louver Lens MRF^{5&6} Micro Reflector <i>If the joined length exceeds 8ft, only continuous Roll-Out Lens can be used.</i>	BLANK White BK Black	

NOTE:

1. Individual fixtures, Runs and Configurations are supplied in nominal lengths to ensure full, even, illumination. If desired runs and configurations are needed, please tell us the details in advance. Then we can prepare the middle run and end run in factory for easy installation, or end user need to modify the standard individual fixtures into middle run and end run.
2. 4000K is default setting.
3. Single CCT is only for Micro Reflector.
4. Default setting is 100% downlight.
5. MRF is only available in 4ft and single CCT.
6. RGL, LVL and MRF lens will ask long lead time for 2ft, 3ft and 8ft. Please check with Customer Service in advance.

ACCESSORIES (ORDERED SEPARATELY AND FIELD INSTALLED)



Drop Ceiling Suspension Mount List.

MAG-PMK3-5FT¹

Aircraft Cable Pendant Mount Kits for Drop Ceiling, with 5ft aircraft cable and 5ft power cord (One set per fixture).

MAG-PMK3-12FT¹

Aircraft Cable Pendant Mount Kits for Drop Ceiling, with 12ft aircraft cable and 12ft power cord (One set per fixture).

NOTE:

1. Suitable for 9/16" and 15/16" Flat Ceiling.
If for 9/16" slot ceiling please contact Customer Service.



Dry Ceiling Suspension Mount List.

MAG-PMK1-5FT

Aircraft Cable Pendant Mount Kits for Dry Ceiling, with 5ft aircraft cable and 5ft power cord (One set per fixture).

MAG-PMK1-12FT

Aircraft Cable Pendant Mount Kits for Dry Ceiling, with 12ft aircraft cable and 12ft power cord(One set per fixture).

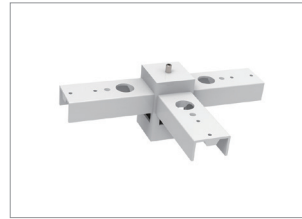
ACCESSORIES (ORDERED SEPARATELY AND FIELD INSTALLED)



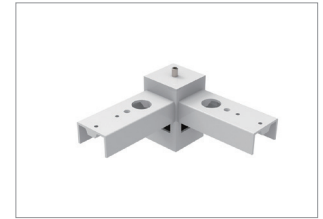
MAG23-LINE
Line Shape Joiner.



MAG23-CROSS
Cross Shape Joiner, white.



MAG23-T
T Shape Joiner, white.



MAG23-L
90° L Shape Joiner, white.



MAG23-Y
Y Shape Joiner, white.



MAG23-Z
Z Shape Joiner, white.



MAG23-Hex Hub
120° Hex-hub Joiner,
white.



MAG23-CURVE-LIT
90° Curve Joiner with
light, white.

MAG23-CURVE
90° Curve Joiner without
light, white.

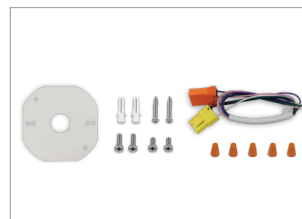


AAL-EBU-AC08D-YYY³
Remote 8W LED
Emergency Battery
Back-up 120-347VAC.

AAL-EBU-AC25D-YYY³
Remote 25W LED
Emergency Battery
Back-up 120-347VAC.



RC-100
Remote Control for
Microwave Motion Sensor.



MAG-SMK
Surface Mount Kits.



ACGP
Aircraft Cable Gripper
(a pair). Suitable for
Ø0.06"-0.08"(1.5mm-2
mm) aircraft cable
including two pieces.

ACCESSORIES (ORDERED SEPARATELY AND FIELD INSTALLED)



MAG-MSW-PM/SM¹
Microwave Motion Sensor
Kit for Pendant Mounting.

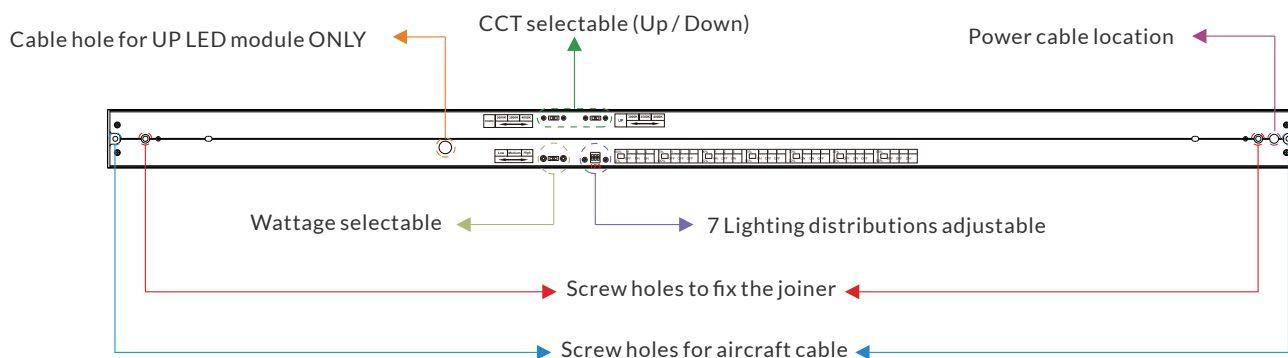


MAG23-ROL²
Continuous Roll-Out
Lens (42').
MAG23-SCL²
40' silicon lens.

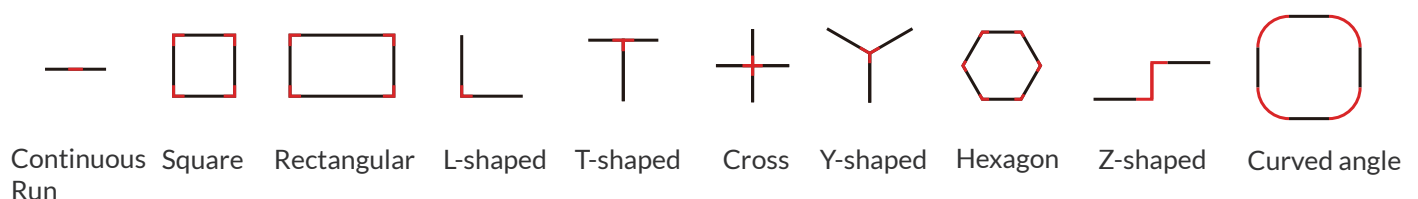
NOTE:

1. Microwave dimming sensor, for mounting height 20ft (6m) max. Dimming default setting is Bi-Level dim and dimming to 50%. Besides, daylight sensor default setting is disable. If need other dimming levels such as 10% or 30%, ON/OFF function and daylight sensor function, please consult with customer service in advance.
2. If the straight joined length exceeds 8ft, please choose continuous Roll-Out Lens. If curve joiner is used, silicon lens must be used too.
3. The 8W EBU supports up to 60W total lighting load. The 25W EBU supports up to 150W total lighting load. The dimming control wire must be connected. The EBU is Title 20 compliant. Emergency battery backup operates within ambient temperatures of 32°F to 95°F (0°C to 35°C).

MOUNTING LOCATION

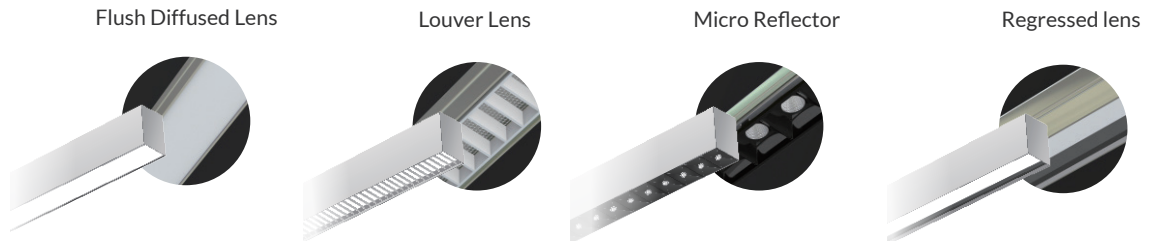


CONFIGURED SHAPES



PERFORMANCE DATA

Lumen values are measured by third party certified laboratories performed in accordance with IESNA LM-79-08 as well as Lighting Facts listed.



Lengths	2FT/3FT/4FT/8FT	2FT/3FT/4FT/8FT	4FT	2FT/3FT/4FT/8FT
Width	2.3"	2.3"	2.3"	2.3"
Wattage	10W/15W/20W selectable 15W/20W/30W selectable 20W/30W/40W selectable 40W/60W/80W selectable	10W/15W/20W selectable 15W/20W/30W selectable 20W/30W/40W selectable 40W/60W/80W selectable	10W/15W/20W selectable 15W/20W/30W selectable 20W/30W/40W selectable 40W/60W/80W selectable	10W/15W/20W selectable 15W/20W/30W selectable 20W/30W/40W selectable 40W/60W/80W selectable
Voltage	120-277V (Int.Driver)	120-277V (Int.Driver)	120-277V (Int.Driver)	120-277V (Int.Driver)
Lumen Output Low level	575lm/ft, 5W/ft	450lm/ft, 5W/ft	575lm/ft, 5W/ft	450lm/ft, 5W/ft
Lumen Output Medium level	860lm/ft, 7.5W/ft	675lm/ft, 7.5W/ft	860lm/ft, 7.5W/ft	710lm/ft, 7.5W/ft
Lumen Output High level	1150lm/ft, 10W/ft	900lm/ft, 10W/ft	1150lm/ft, 10W/ft	950lm/ft, 10W/ft
Installation	Suspended			
Controls (optional)	Emergency Battery Back-up / Motion Sensor			

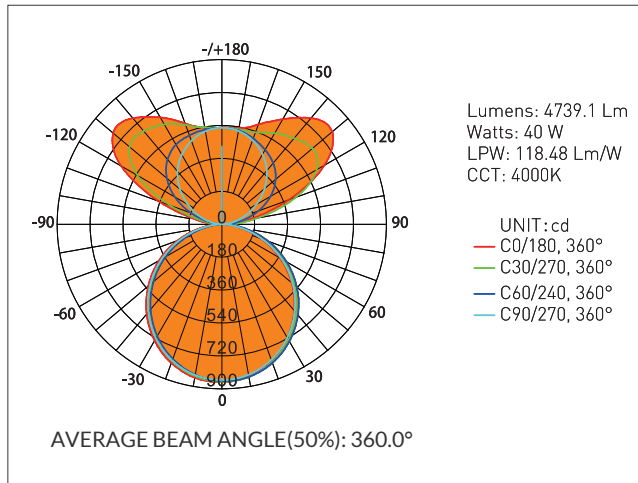
NOTE

- Notes: Above are subject to 3500K with 50% up and 50% down lighting distribution. All efficacy is $\pm 5\%$ base on different CCT and lighting distributions. If silicon lens are used the efficacy will decreased by 10%. Check the IES file to gain the accurate data.
- For 3000K fixtures, use 0.96 multiplier; For 4000K fixtures, use 1.04 multiplier.

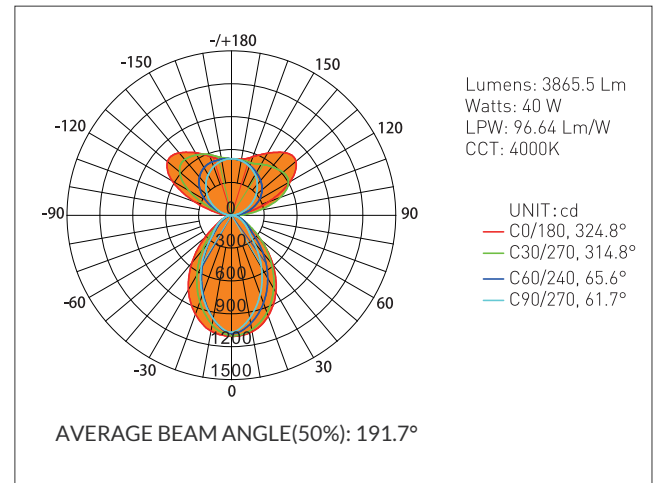
PHOTOMETRY

All published luminaire photometric testing performed to IESNA LM-79-08 standards by a NVLAP certified laboratory. IESNA LM-79-08 specifies the entire luminaire as the source resulting in a fixture efficiency of 100%. Results may vary per actual order.

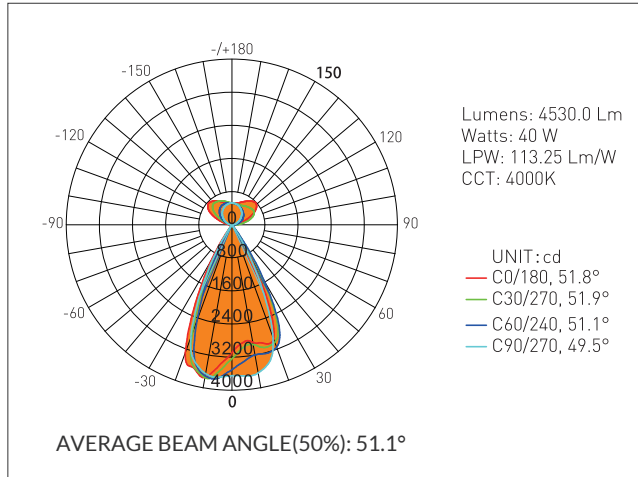
4ft/ Diffuser/50% Up, 50% Down/ 4000K



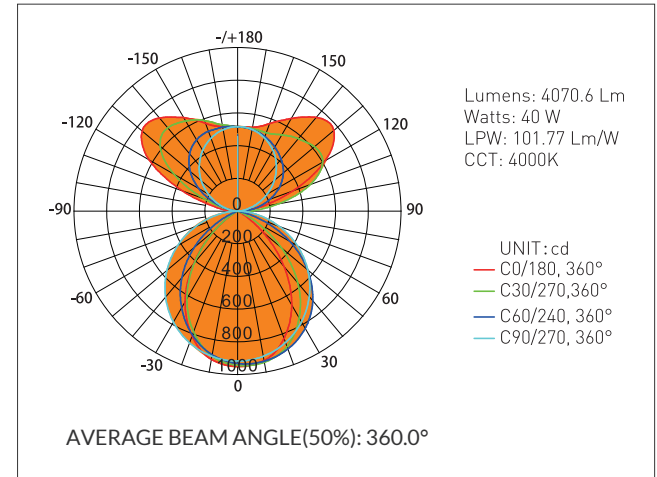
4ft/ Louver/50% Up, 50% Down/ 4000K



4ft/ Micro Reflector/50% Up, 50% Down/ 4000K



4ft/ Deep Regressed/50% Up, 50% Down/ 4000K



NOTE:

1. These distribution diagram is tested based on suspended mount.

MICROWAVE DIMMING SENSOR

3-Step Dimming Function

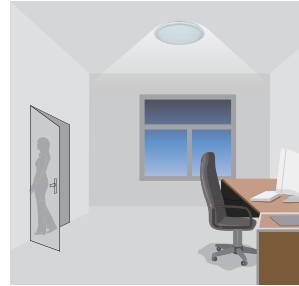
The sensor is an innovative motion sensor, switch on the light on detection of movement, and switch off after a hold time when there is no motion detected.



1. No motion detected, all lamps switch off.



2. Any movement is detected from any direction, all lamps synchronously switch on.



3. No motion is detected in detection area, all lamps synchronously dim to a low light level after hold time.



4. After stand-by period, the lamps switch off if no movement is detected in the detection zone.

MICROWAVE DIMMING SENSOR SETTING (120-277V)

By selecting the combination on the DIP switch, sensor data can be precisely set for each specific application.

The sensor setting also can be done by a remote control (RC-100) which need to be bought separately.

	1	2	
I	↓	↓	20%
II	↓	↑	50%
III	↑	↓	75%
IV	↑	↑	100%

Sensitivity

Sensitivity can be reduced by selecting the combination on the DIP switches to fit precisely each application.

Default Setting: 100%

	3	4	
I	↓	↓	10s
II	↓	↑	1min
III	↑	↓	5mins
IV	↑	↑	15mins

Hold time

Refers to the time period the lamp remains at 100% illumination after no motion detected.

Default Setting: 15mins

	5	6	
I	↓	↓	☀
II	↓	↑	10 lux
III	↑	↓	30 lux
IV	↑	↑	50 lux

Daylight sensor

The sensor can be set to only allow the lamp to illuminate below a defined ambient brightness threshold.

Default Setting: ☀ (Disable)

2" MAGIC SUSPENDED LINEAR LIGHT

Direct and Indirect Light

	7	8	
I	↓	↓	0%
II	↓	↑	10%
III	↑	↓	30%
IV	↑	↑	50%

Stand-by dimming level

The low light level you would like to have after the hold time in the long absence of people.

Default Setting: 50%

	9	10	
I	↓	↓	+∞
II	↓	↑	1min
III	↑	↓	30mins
IV	↑	↑	60mins

Stand-by time

Refers to the time period the lamp remains at a low light level before it completely switches off in the long absence of people. When set to “ +∞ ” mode, the low light is maintained until motion is detected.

Default Setting: 30mins

WARRANTY

5 years limited warranty.

Specifications subject to change without notice.