

4" PORLA LED DOWNLIGHT

600LM & 1000LM



DLS



DLR



ADJS



ADJR



CAN ICES-005

The 4" Porla LED Downlight comes in round and square shapes with integral driver in a remote driver box. Five CCT selectable. Flexibility to switch color temperature during installation with the slide switch located on the fixture. Reflector optic design. Ideal for a variety of applications for both residential and commercial settings.

TECHNICAL DATA

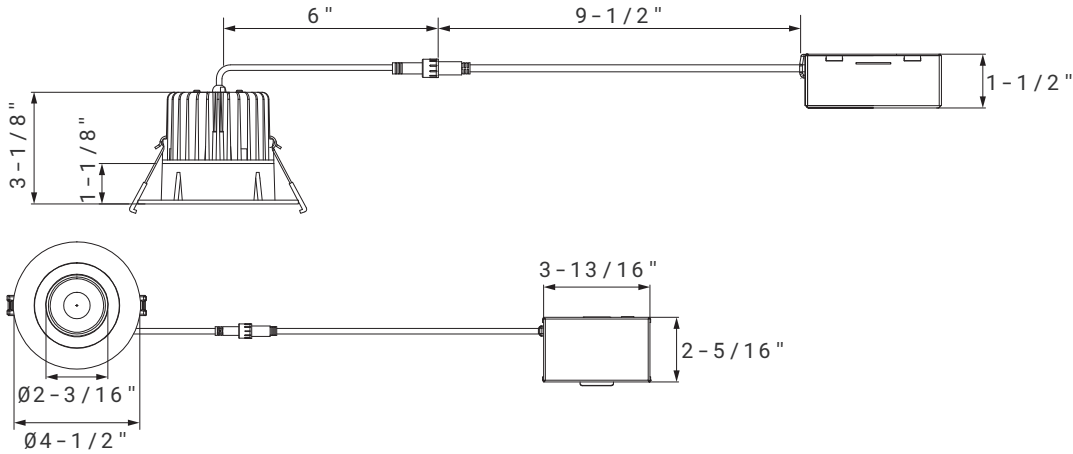
Wattage	8W, 12W
Lumen Output	600lm, 1000lm
CCT	Selectable 2700K/3000K/3500K/ 4000K/5000K
Driver	Triac dimming - Standard 0-10V dimming - Optional
CRI	90
Input Voltage	120V or 120-277V, 50/60Hz
Projected Lifetime	L70-50,000 Hours
Operating Temp.	-4°F to 104°F (-20°C to 40°C)
Certifications	cETLus conforms to UL Std. 1598 Cert. to CSA Std. C22.2 No.250.0 RoHS compliant Suitable for wet locations IC rated FCC&ICES-005 Compliant. (for 1000LM models and drivers.)
Power Factor	>0.9 at full load
Harmonic Distortion	<20% at full load
IP Rating	IP54

FEATURES

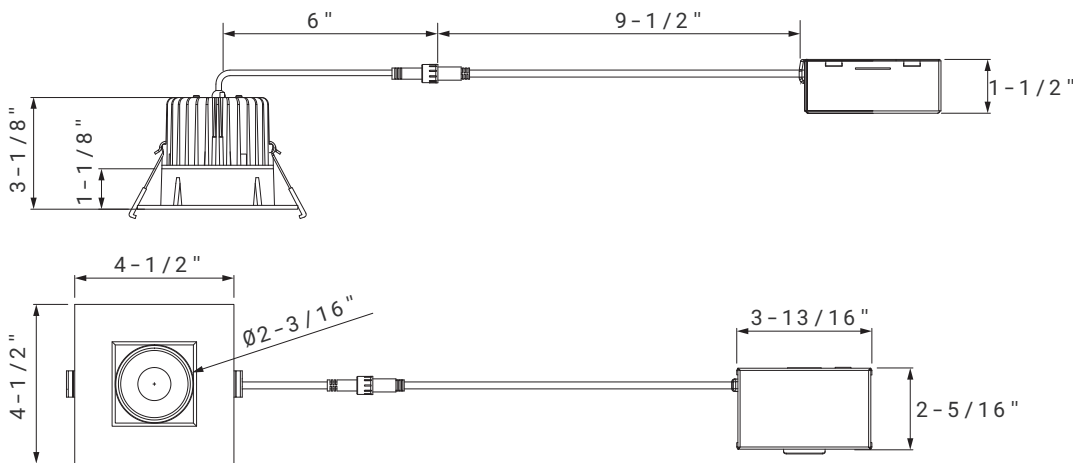
- **Versatile Design Options:** 4" size available in round and square shapes with aluminum construction and Type IC rating (no housing needed).
- **Advanced Performance Features:** Adjustable and fixed head available and five CCT selectable with standard FT6 cable for reliable operation.

SPECIFICATION

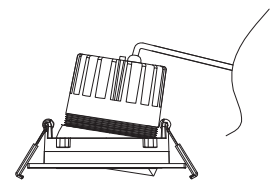
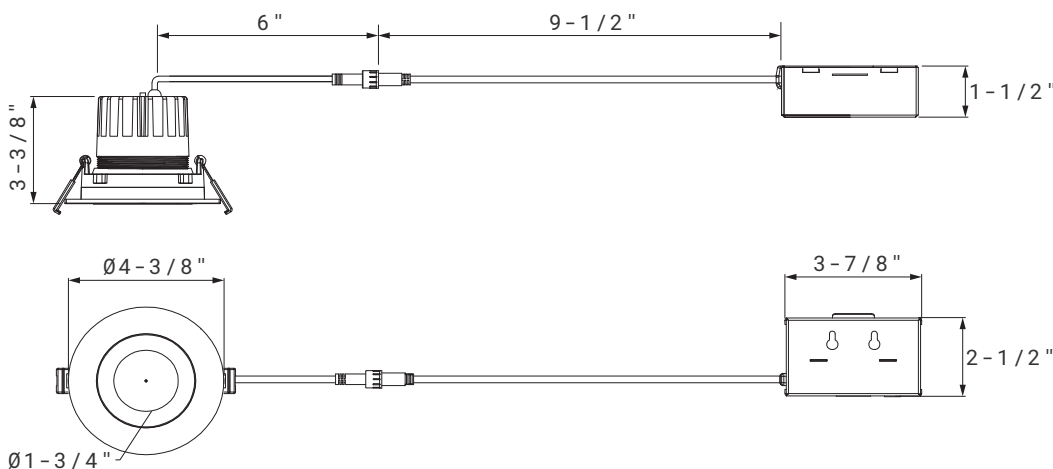
4" DL 600/1000lm (Round Trim)



4" DL 600/1000lm (Square Trim)



4" ADJ 600/1000lm (Round Trim)



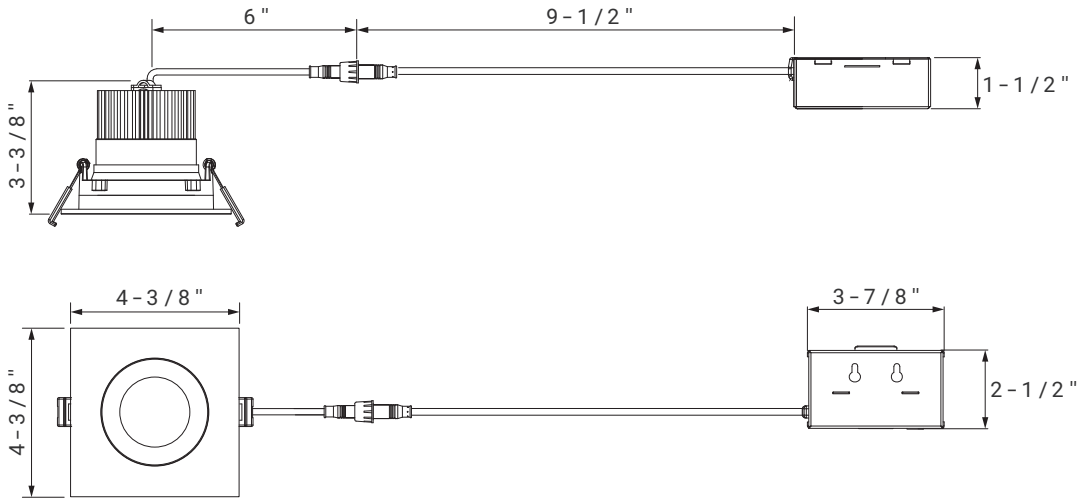
Tilt Angle: 14 degree

4" PORLA LED DOWNLIGHT

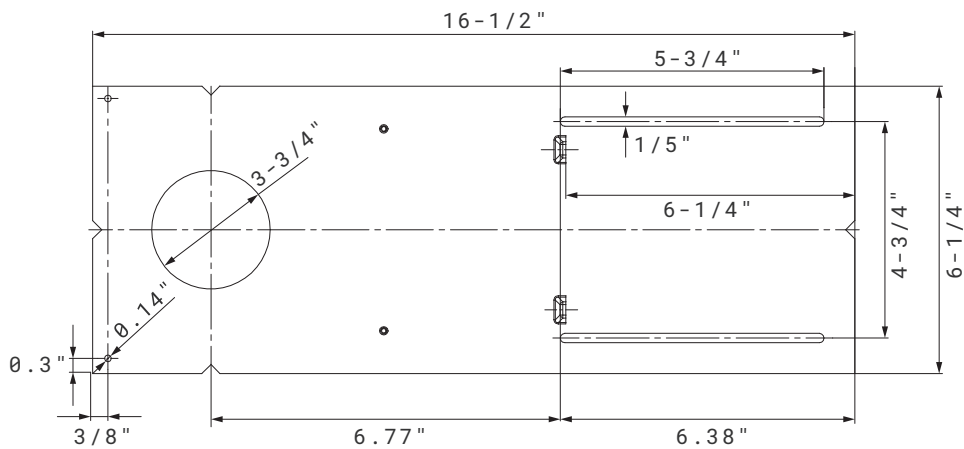
600LM & 1000LM

SPECIFICATION

4" ADJ 600/1000lm (Square Trim)



Rough In Plate



4" PORLA LED DOWNLIGHT

600LM & 1000LM

ORDERING INFORMATION

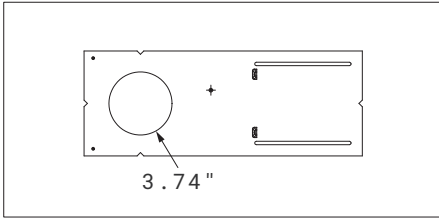
EXAMPLE: POR04-DLR-10LM-90-MBK

POR						
Series	Size	Adjustable	Shape	Lumens/CRI	Trim Finish ²	Driver Option
POR Porla	04 4"	DL Downlight	R Round	06LM-90 600lm/90CRI	MWH Matte White	POR04-08W-4 600lm Triac Dimmable Driver
		ADJ Adjustable	S Square	10LM-90³ 1000lm/90CRI	MBK Matte Black	POR04-08W-1 600lm 0-10V Dimmable Driver
						POR04-12W-4³ 1000lm Triac Dimmable Driver
						POR04-12W-1³ 1000lm 0-10V Dimmable Driver

NOTE:

1. 2700K, 3000K, 3500K, 4000K, 5000K selectable. 3000K is default setting.
2. Custom finish color is available for trim and additional charge will apply for custom finish.
3. The 1000LM models and drivers comply with FCC & ICES-005.

ACCESSORIES (ORDERED AND SHIPPED SEPARATELY)


POR04-RIP-N

Rough-in Plate.

New Version



FT6 Extension Cable (2 pin).

POR-EXC6-FT6

6 feet 2 pin cable.

POR-EXC10-FT6

10 feet 2 pin cable.

POR-EXC20-FT6

20 feet 2 pin cable.

PERFORMANCE DATA

Lumen values are measured by third party certified laboratories performed in accordance with IESNA LM-79-08 as well as Lighting Facts listed.

Size	Nominal Wattage	Lumen Output	CCT	Beam Angle	Tilt Angle (ADJ)	CRI	Dimming	Cut Out
4 Inch (FIX and ADJ)	8W	600lm@3000K	Selectable 2700K/ 3000K/3500K/ 4000K/5000K	38 degree	14 degree	90	Triac or 0-10V dimming	Ø3.74"
	12W	1000lm@3000K						

Lumen Multiplier

2700K	0.95
3000K	1
3500K	1.05
4000K	1.10
5000K	1.05

WARRANTY

5 years limited warranty.

Specifications subject to change without notice.