



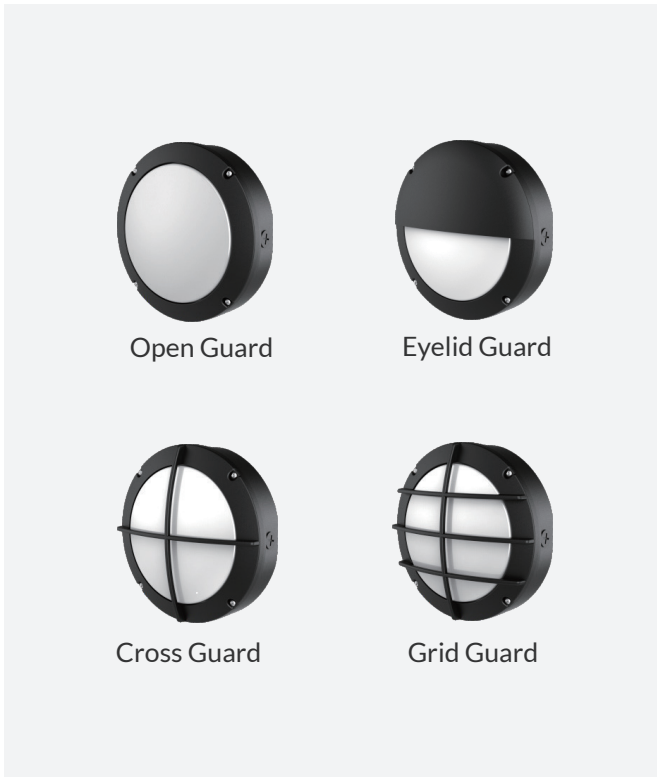
The DIR LED Bulkhead Light has die-casting aluminum body and opal polycarbonate lens. A range of lumen options available from 1500 to 3500 lumens. Designed to endure extreme environmental conditions and physical abuse.

TECHNICAL DATA

Wattage	Selectable 18W/24W/30W
CRI	70
CCT	Selectable 3000K/3500K/ 4000K/5000K/6500K
Input Voltage	120-277VAC, 50/60Hz
Operating Temp.	-40°F to 104°F (-40°C to 40°C)
Driver	0-10V dimming
Certifications	cUL Listed RoHS compliant Suitable for wet locations
Power Factor	>0.9 at full load
Harmonic Distortion	≤20% at full load
Projected Lifetime	L70 - 100,000 Hours
IP Rating	IP65
IK Rating	IK08

FEATURES

- **Five CCTs in One:** Integrated multiple color temperatures within a single unit for versatile lighting scenarios.
- **Wattage Selectable:** Adjustable power settings to customize energy usage and light output.
- **Photocontrol Available:** Photocontrol available for automatic on/off operation based on ambient lighting conditions.
- **Guard Options:** Available in Open, Cross, Eyelid, and Grid designs for varied protection and light distribution.



Open Guard



Eyelid Guard

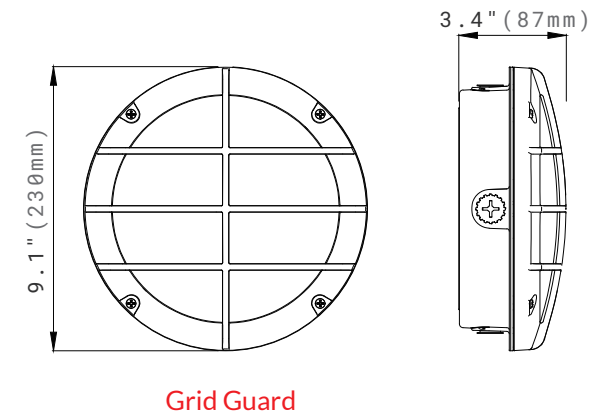
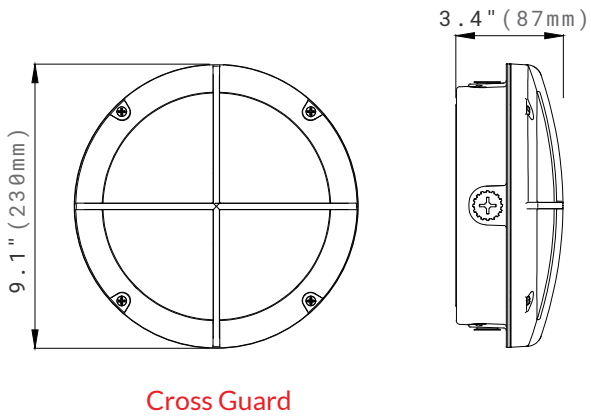
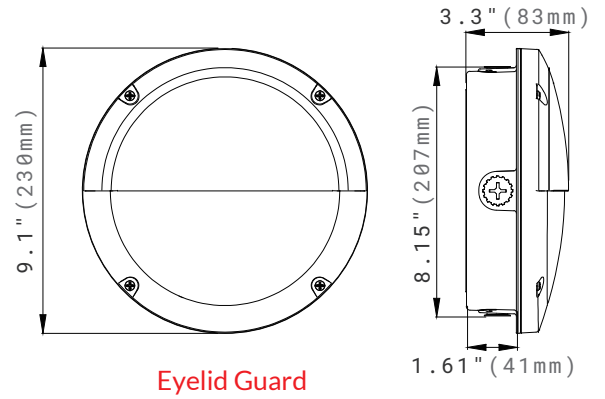
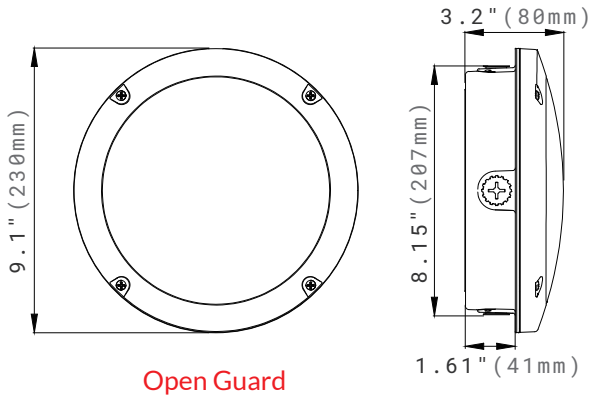


Cross Guard



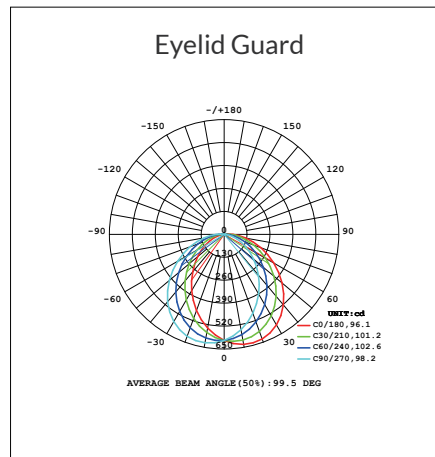
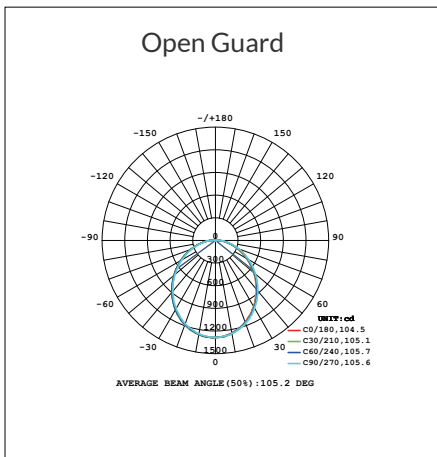
Grid Guard

SPECIFICATION

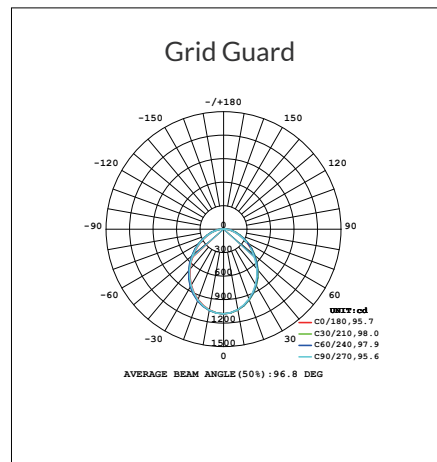
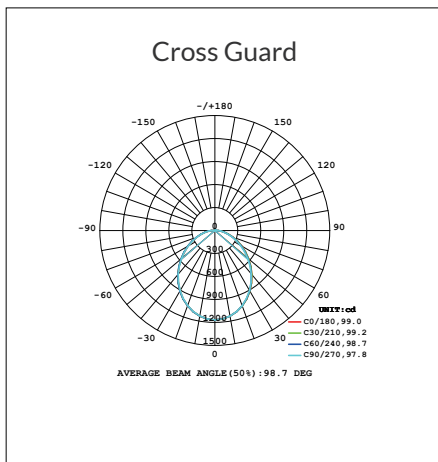


PHOTOMETRY

All published luminaire photometric testing performed to IESNA LM-79-08 standards by a NVLAP certified laboratory. IESNA LM-79-08 specifies the entire luminaire as the source resulting in a fixture efficiency of 100%. Results may vary per actual order.



PHOTOMETRY



ORDERING INFORMATION

EXAMPLE: DIR9-30SP-SW1-PC-OP-BK

DIR9						
Series	Wattage	CCT	Voltage	Control	Guard	Finish
DIR9	30SP Selectable ¹ 18W 24W 30W	SW Selectable 3000K 3500K 4000K ² 5000K 6500K	1 120-277V	PC Photocontrol ³	OP Open CS Cross ED Eyelid GD Grid	BK Black ⁴

NOTE:

- 30W is default setting.
- 4000K is default setting.
- Photocontrol can be set ON and OFF by the DIP switch on the fixture. Photocontrol default setting is OFF.
- Black finish is standard. Custom color is available at an additional cost.

PERFORMANCE DATA

Lumen values are measured by third party certified laboratories performed in accordance with IESNA LM-79-08 as well as Lighting Facts listed.

Open

Power	CCT	Voltage	Lumen Output	LPW
30W	3000K	120-277V	3200lm	105
	3500K	120-277V	3300lm	110
	4000K	120-277V	3500lm	115
	5000K	120-277V	3300lm	110
	6500K	120-277V	3200lm	105

Eyelid

Power	CCT	Voltage	Lumen Output	LPW
30W	3000K	120-277V	1550lm	50
	3500K	120-277V	1580lm	52
	4000K	120-277V	1650lm	55
	5000K	120-277V	1580lm	52
	6500K	120-277V	1550lm	50

Cross

Power	CCT	Voltage	Lumen Output	LPW
30W	3000K	120-277V	2850lm	95
	3500K	120-277V	2950lm	100
	4000K	120-277V	3050lm	105
	5000K	120-277V	2950lm	100
	6500K	120-277V	2850lm	95

Grid

Power	CCT	Voltage	Lumen Output	LPW
30W	3000K	120-277V	2600lm	85
	3500K	120-277V	2700lm	90
	4000K	120-277V	2800lm	95
	5000K	120-277V	2700lm	90
	6500K	120-277V	2600lm	85

WARRANTY

5 years limited warranty.

Specifications subject to change without notice.