

SUITABLE FOR MODEL



SAFETY INSTRUCTIO

READ CAREFULLY BEFORE INSTALLING FIXTURE. PLEASE KEEP THIS MANUAL FOR FUTURE USE
 Fixtures must be wired in accordance with the National Electrical Code and all applicable local codes. Proper grounding is required for safety.

THIS PRODUCT MUST BE INSTALLED IN ACCORDANCE WITH THE APPLICATION CODE BY A PERSON FAMILIAR WITH THE CONSTRUCTION AND OPERATION OF THE PRODUCT AND THE HAZARDS INVOLVED.

MAKE CERTAIN POWER IS OFF BEFORE INSTALLING OR MAINTAINING FIXTURE.

CHECK THAT VOLTAGE IS COMPATIBLE WITH FIXTURE DRIVER. USE APPROVED CONNECTORS FOR ALL ELECTRICAL CONNECTIONS.

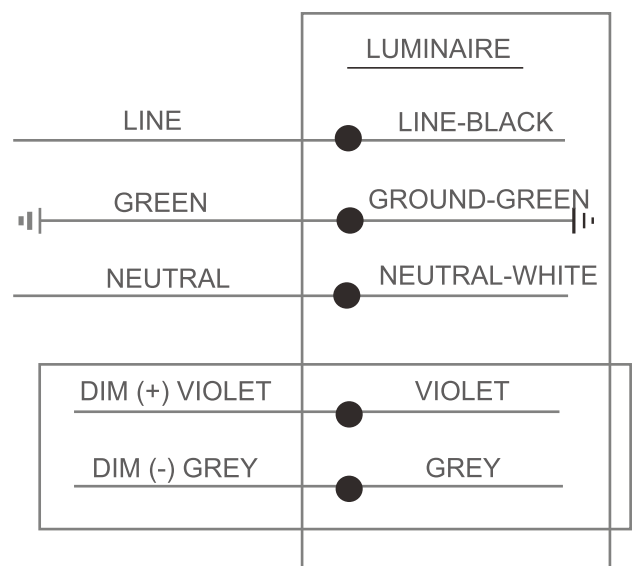
MAINTENANCE CAUTION

1. Review the wire connection before beginning, and make sure fixture is grounded properly.
2. For lighting controls, follow control instructions carefully.
3. Turn power off and wait for fixture to cool before performing maintenance.
4. Maintenance must be done by professionals.

WIRE CONNECTION

Universal Voltage permits operation at 120VAC thru 277VAC, 50 or 60 Hz.

- a. Connect the black luminaire lead to the supply lead.
 - b. Connect the white luminaire lead to the neutral supply lead.
 - c. Connect the green or green/yellow ground lead to the green supply lead.
- a. If Dimming is an option; connect the violet dimming positive lead to the supply dimming positive lead. If dimming is not being used, ensure to cap off the violet lead.
 - b. If Dimming is an option; connect the grey dimming negative lead to the supply dimming negative lead. If dimming is not being used, ensure to cap off the grey lead.

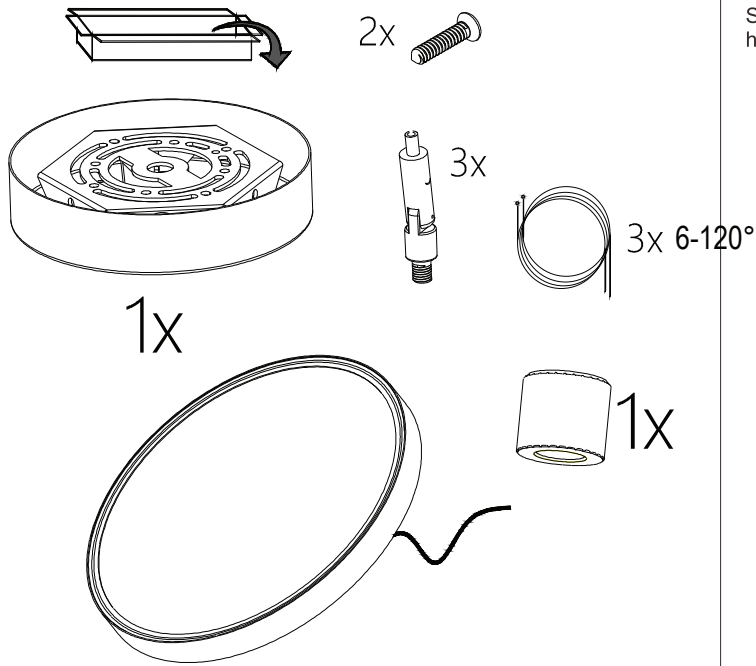


INSTALLATION

WARNING

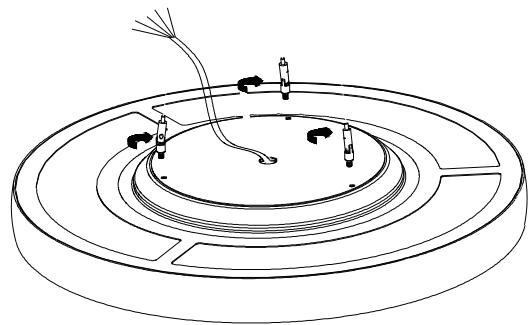
Risk of injury or damage. Make certain power is OFF before installing or maintaining fixture.

Packing List



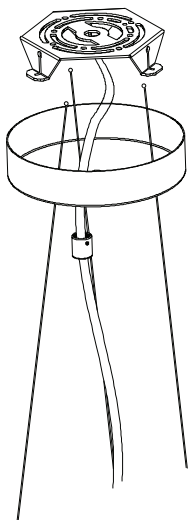
1

Separate the steel wire rope from the fixed head and put the fixed head knob into the disc.



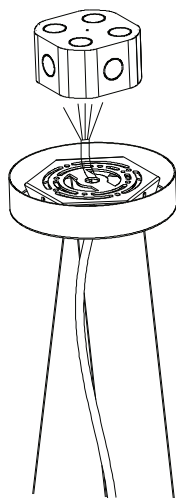
2

Thread the steel wire rope and power cord through the ceiling cover.



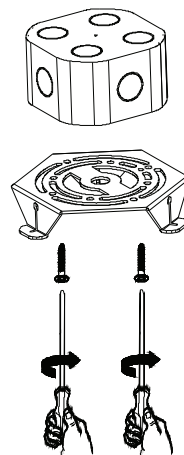
3

Connecting line.



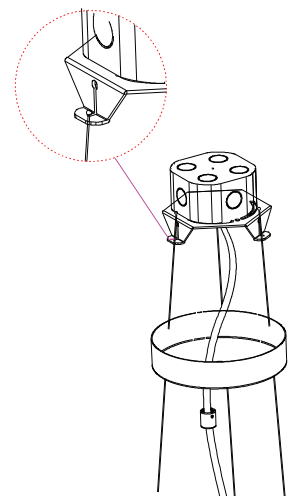
4

Lock the pendanted hanging plate to the J-box



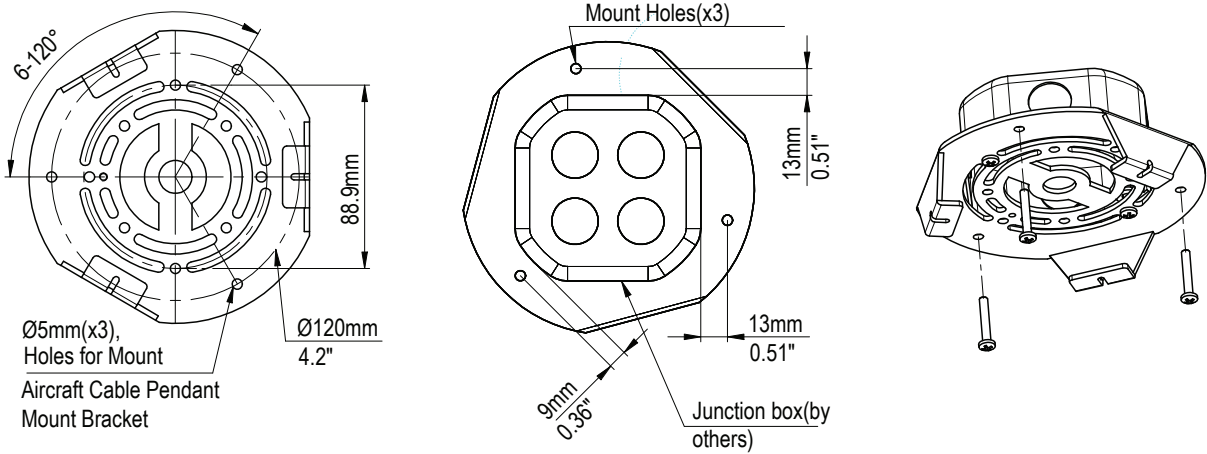
5

Hook the lifting rope to the pendant hanging plate



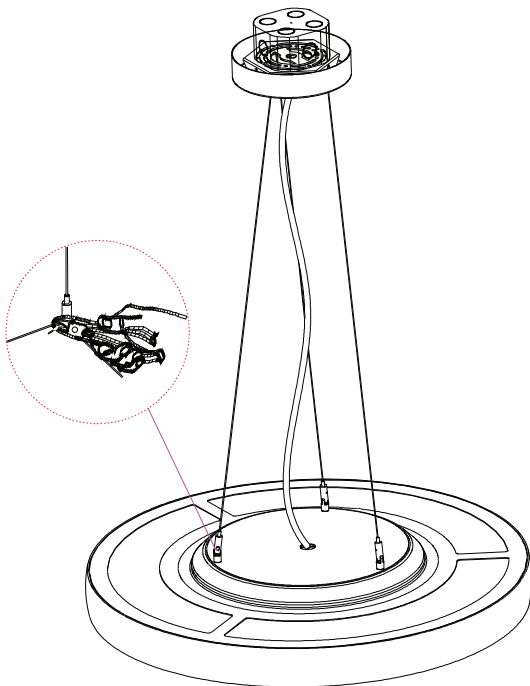
6

For 102W & 136W:
First, secure the bracket to the JBOX, then use the three Ø5mm holes on the outer side to fasten the bracket to the wall or support structure, ensuring proper weight support for the product.



7

Insert the lifting rope into the lock thread head and cut off the excess



8

Lock the thread head to counter the suction top cover.

