



The Selectable Square LED Bollard comes in diffused polycarbonate lens and offers symmetric distributions to deliver even, energy efficient illumination. Injection die-cast aluminum body, durable finish and long-lasting LEDs will provide years of maintenance-free service. It's ideal for urban lighting applications, including landscapes, bike lanes, pedestrian paths, plazas, collector roads, and more.

TECHNICAL DATA

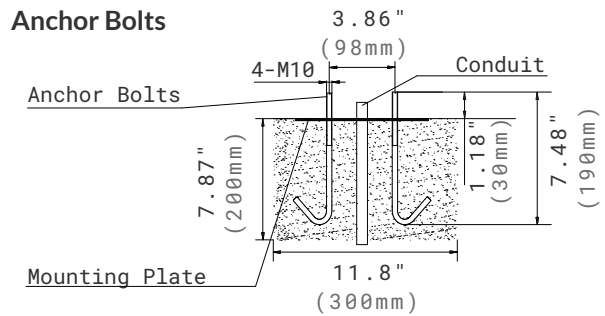
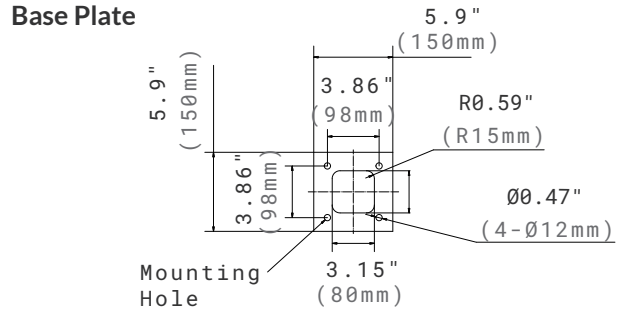
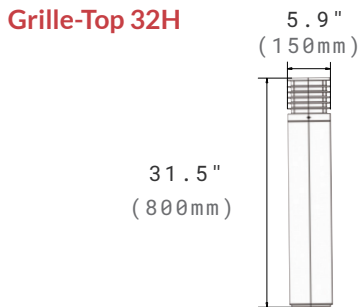
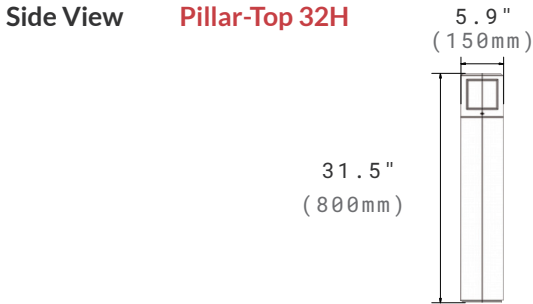
Wattage	Selectable 12W/24W
CCT	Selectable 3000K/4000K/5000K
Driver	0-10V Dimming
CRI	70+
Input Voltage	120-277V, 50/60Hz
Projected Lifetime	L70-127,000 Hours
Operating Temp.	-4°F to 104°F (-40°C to 40°C)
Certifications	RoHS compliant
Power Factor	>0.9 @120Vac
Harmonic Distortion	<20% at full load
IP Rating	IP66
IK Rating	IK10

FEATURES

- Square-shaped and architectural appeal.
- High quality extrusion aluminum body.
- Stainless steel, silicone rubber sealing.

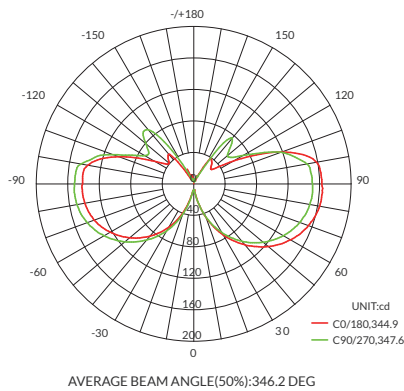
SPECIFICATION

Dimension

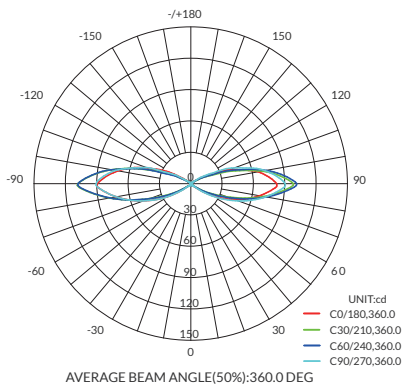


PHOTOMETRY

All published luminaire photometric testing performed to IESNA LM-79-08 standards by a NVLAP certified laboratory. IESNA LM-79-08 specifies the entire luminaire as the source resulting in a fixture efficiency of 100%. Results may vary per actual order.



Pillar-Top Type V



Grille-Top Type V

ORDERING INFORMATION

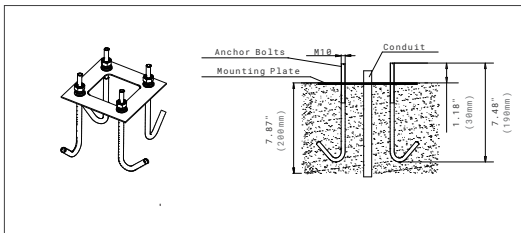
EXAMPLE: SPB32HSPSW1-V

Series	Height	Wattage	CCT	Voltage	Control	Distribution	Finish
SPB Pillar-Top SGB Grille-Top	32H 32" Height	SP¹ Selectable ¹ 12W 24W	SW² Selectable ² White 3000K 4000K 5000K	1 120-277V	BLANK 0-10V Dimming Driver	V Type V	BLANK³ Bronze ³ –Standard Optional Finishes see below³ BK Black WH White GY Gray <i>Additional fees applied³</i>

NOTE:

- 24W is default setting. If need 12W, please contact Customer Service in advance to adjust the setting at the factory or change the setting on site.
- 3000K is default setting. If need other CCT, please contact Customer Service in advance to adjust the setting at the factory or change the setting on site.
- Standard finish is Bronze; Custom finish colors are available at an additional charge. Please contact Customer Service for details.

ACCESSORIES(ORDERED SEPARATELY)



90540
ABMK02
 Anchor Bolts Mounting Kits.

PERFORMANCE DATA

Lumen values are measured by third party certified laboratories performed in accordance with IESNA LM-79-08 as well as Lighting Facts listed.

Lumen Output

Wattage	Top	Lumen Output	AC Input 120V	CRI	CCT	Dist. Type
12W	Pillar	760lm	0.19A	>70	4000K	Type V
24W	Pillar	1400lm	0.22A	>70	4000K	Type V
12W	Grille	220lm	0.19A	>70	4000K	Type V
24W	Grille	380lm	0.22A	>70	4000K	Type V

Lumen Multiplier

3000K	4000K
0.93	1

Lumen Ambient Temperature (LAT) Multipliers

Use these factors to determine relative lumen output for average ambient temperature from -40 to 104°F (-40 to 40°C).

Ambient		Multiplier
Celsius	Fahrenheit	
0	32	1.02
10	50	1.01
20	68	1.00
25	77	1.00
30	86	1.00
40	104	0.99

Projected LED Lumen Maintenance

Data references the extrapolated performance projections for the LED bollard in a 77°F ambient (Tested per IESNA LM-80-08 and Projected per IESNA TM-21-11).

Operating Hours	Lumen Maintenance Factor
0	0.1
6,000	0.98(L98)
14,000	0.96(L96)
29,000	0.92(L92)
127,000	0.70(L70)

BUG RATING TABLE

Performed to IESNA LM-79-08 standards by a NVLAP accredited laboratory.

Model	BUG Rating
SGBXXHSPSW1-V-12W-4000K	B0-U3-G1
SGBXXHSPSW1-V-24W-4000K	B0-U3-G1
SPBXXHSPSW1-V-12W-4000K	B0-U3-G1
SPBXXHSPSW1-V-24W-4000K	B1-U3-G1

WARRANTY

5 year limited warranty.

Specifications subject to change without notice.