

# 4" PORLA LED DOWNLIGHT

## 1500LM & 2000LM



CAN ICES-005

This 4" Porla LED Downlight is powered by high efficiency LED chips and external LED driver. Round and square shapes with integral driver in a remote driver box. Five CCT selectable. Flexibility to switch color temperature during installation with the slide switch located on the cable. Reflector optic design. Ideal for a variety of applications for both residential and commercial settings.

### TECHNICAL DATA

<b>Wattage</b>	18W, 25W
<b>Lumen Output</b>	1500lm, 2000lm
<b>CCT</b>	Selectable 2700K/3000K/3500K/ 4000K/5000K
<b>Driver</b>	Triac dimming - Standard 0-10V dimming - Optional
<b>CRI</b>	90
<b>Input Voltage</b>	120V or 120-277V, 50/60Hz
<b>Projected Lifetime</b>	L70-50,000 Hours
<b>Operating Temp.</b>	-4°F to 104°F (-20°C to 40°C)
<b>Certifications</b>	cETLus conforms to UL Std. 1598 Cert. to CSA Std. C22.2 No.250.0 RoHS compliant Suitable for wet locations 1500lm is IC rated 2000lm is Non-IC rated FCC&ICES-005 Compliant. (for 1000LM models and drivers.)
<b>Power Factor</b>	>0.9 at full load
<b>Harmonic Distortion</b>	<20% at full load
<b>IP Rating</b>	IP54

### FEATURES

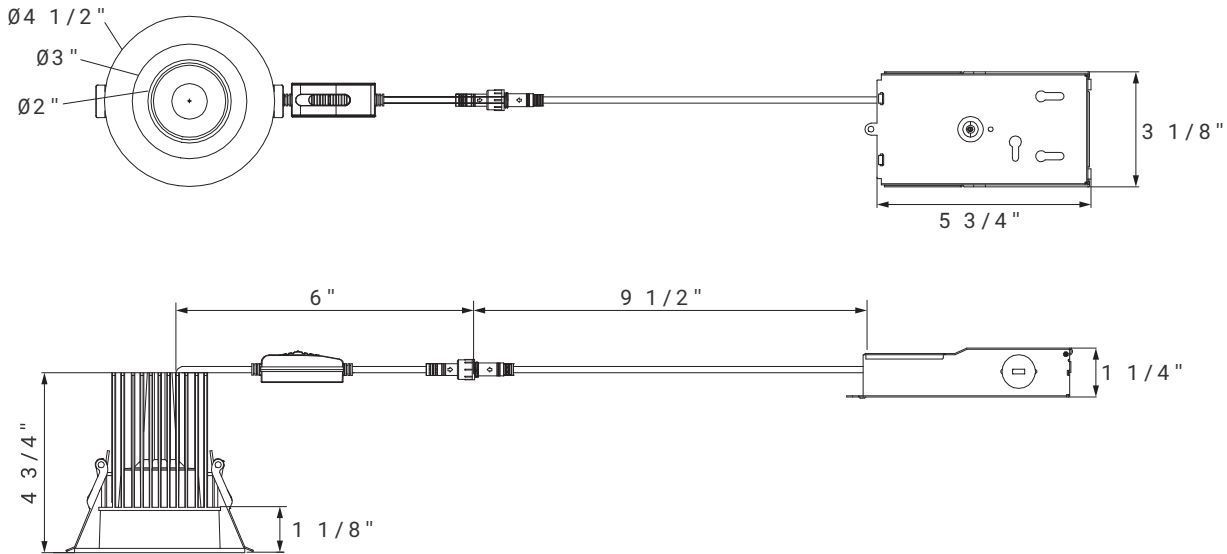
- **Versatile Design Options:** 4" size available in round and square shapes with aluminum construction.
- **Advanced Performance Features:** Five CCT selectable with standard FT6 cable for reliable operation and airtight with EVA gasket for secure ceiling seal.

# 4" PORLA LED DOWNLIGHT

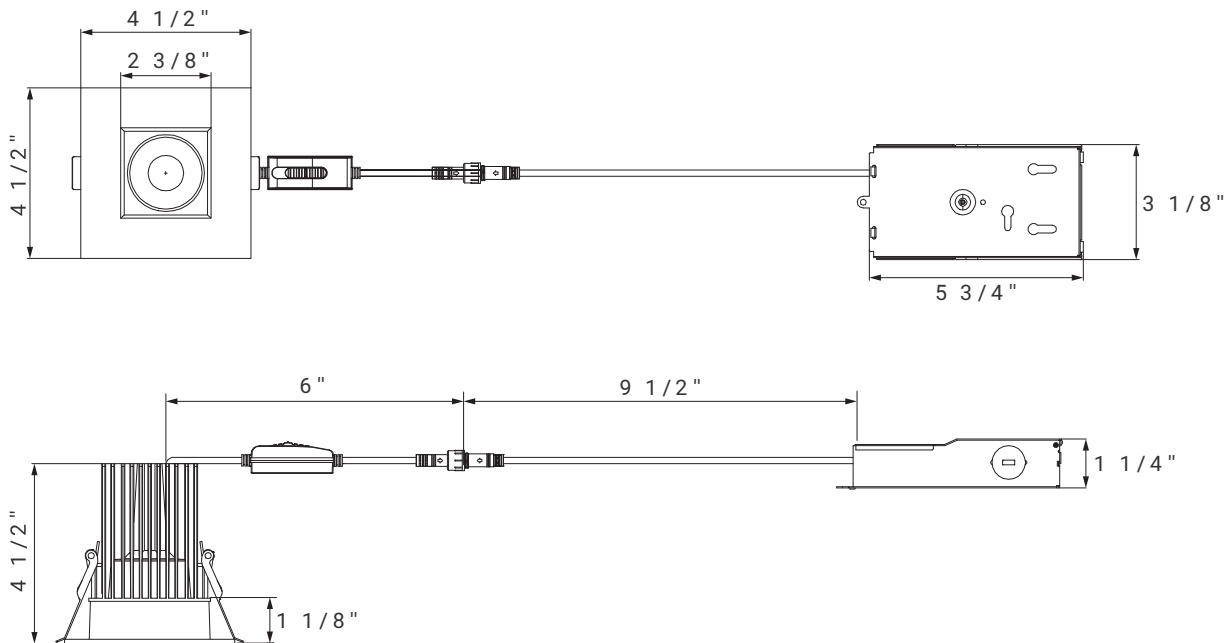
1500LM & 2000LM

## SPECIFICATION

### 4" Round Triac and 0-10V Dimming

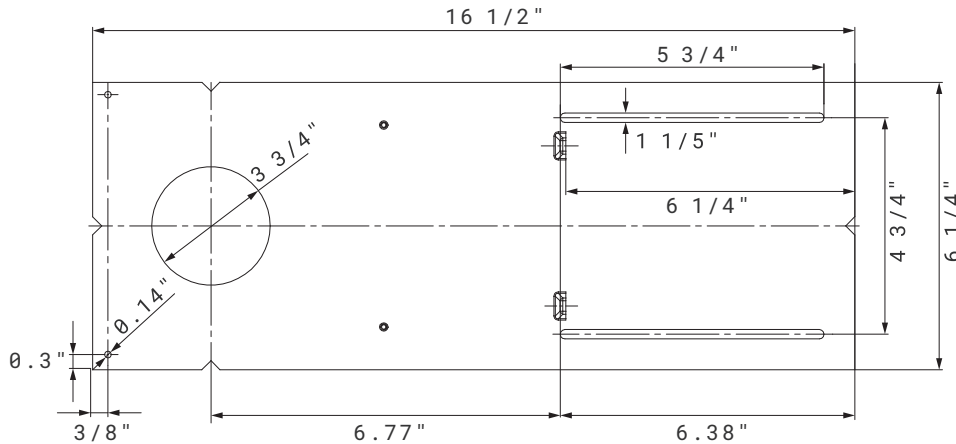


### 4" Square Triac and 0-10V Dimming



### SPECIFICATION

#### Rough In Plate



### ORDERING INFORMATION

EXAMPLE: POR04-DLR-15LM-90-MBK

POR						
Series	Size	Adjustable	Shape	Lumens/CRI	Trim Finish <sup>2</sup>	Driver Option
POR Porla	04 4"	DL Downlight	R Round  S Square	15LM-90 <sup>3</sup> 1500lm/90CRI  20LM-90 2000lm/90CRI	MWH Matte White  MBK Matte Black	POR04-18W-4 <sup>3</sup> 1500lm Triac Dimmable Driver  POR04-18W-1 <sup>3</sup> 1500lm 0-10V Dimmable Driver  POR04-25W-4 2000lm Triac Dimmable Driver  POR04-25W-1 2000lm 0-10V Dimmable Driver

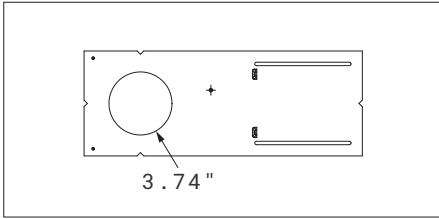
#### NOTE:

1. 2700K, 3000K, 3500K, 4000K, 5000K selectable. 3000K is default setting.
2. Custom finish color is available for trim and additional charge will apply for custom finish.
3. The 1500LM models and drivers comply with FCC & ICES-005.

# 4" PORLA LED DOWNLIGHT

## 1500LM & 2000LM

### ACCESSORIES (ORDERED AND SHIPPED SEPARATELY)



**POR04-RIP-N**

Rough-in Plate.

New Version



FT6 Extension Cable (2 pin).

**POR-EXC6-FT6**

6 feet 2 pin cable.

**POR-EXC10-FT6**

10 feet 2 pin cable.

**POR-EXC20-FT6**

20 feet 2 pin cable.

### PERFORMANCE DATA

Lumen values are measured by third party certified laboratories performed in accordance with IESNA LM-79-08 as well as Lighting Facts listed.

Size	Nominal Wattage	Lumen Output	CCT	Beam Angle	CRI	Dimming	Cut Out
4 Inch DL	18W	1500lm@3000K	Selectable 2700K/3000K/ 3500K/4000K/5000K	38 degree	90	Triac or 0-10V dimming	Ø3.74"
	25W	2000lm@3000K					

### Lumen Multiplier

2700K	0.95
3000K	1
3500K	1.02
4000K	1.07
5000K	1.07

### WARRANTY

5 years limited warranty.

Specifications subject to change without notice.