

# 4" PORLA LED DOWNLIGHT

## 600LM & 1000LM



DLS



DLR



ADJS



ADJR



**JA8**  
TITLE 24



CAN ICES-005

The 4" Porla LED Downlight comes in round and square shapes with integral driver in a remote driver box. Five CCT selectable. Flexibility to switch color temperature during installation with the slide switch located on the fixture. Reflector optic design. Ideal for a variety of applications for both residential and commercial settings.

### TECHNICAL DATA

|                            |  |
|----------------------------|--|
| <b>Wattage</b>             | 8W, 12W  |
| <b>Lumen Output</b>        | 600lm, 1000lm  |
| <b>CCT</b>                 | Selectable 2700K/3000K/3500K/<br>4000K/5000K   |
| <b>Driver</b>              | Triac dimming - Standard<br>0-10V dimming - Optional   |
| <b>CRI</b>                 | 90   |
| <b>Input Voltage</b>       | 120V or 120-277V, 50/60Hz  |
| <b>Projected Lifetime</b>  | L70-50,000 Hours   |
| <b>Operating Temp.</b>     | -4°F to 104°F (-20°C to 40°C)  |
| <b>Certifications</b>      | cETLus conforms to UL Std. 1598<br>Cert. to CSA Std. C22.2 No.250.0<br>RoHS compliant<br>Suitable for wet locations<br>IC rated<br>FCC&ICES-005 Compliant.<br>(for 1000LM models and drivers.) |
| <b>Power Factor</b>        | >0.9 at full load  |
| <b>Harmonic Distortion</b> | <20% at full load  |
| <b>IP Rating</b>           | IP54   |

### FEATURES

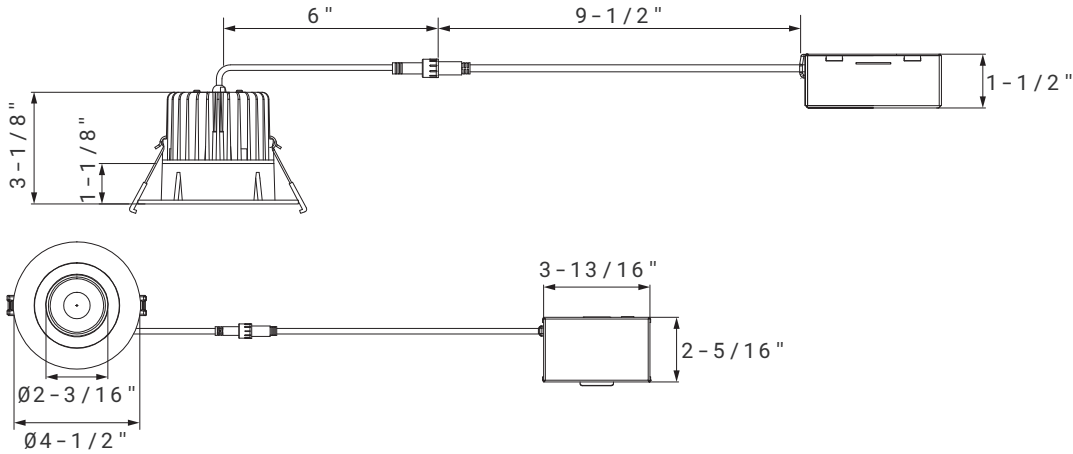
- **Versatile Design Options:** 4" size available in round and square shapes with aluminum construction and Type IC rating (no housing needed).
- **Advanced Performance Features:** Adjustable and fixed head available, five CCT selectable with standard FT6 cable for reliable operation, and airtight with EVA gasket for secure ceiling seal.

# 4" PORLA LED DOWNLIGHT

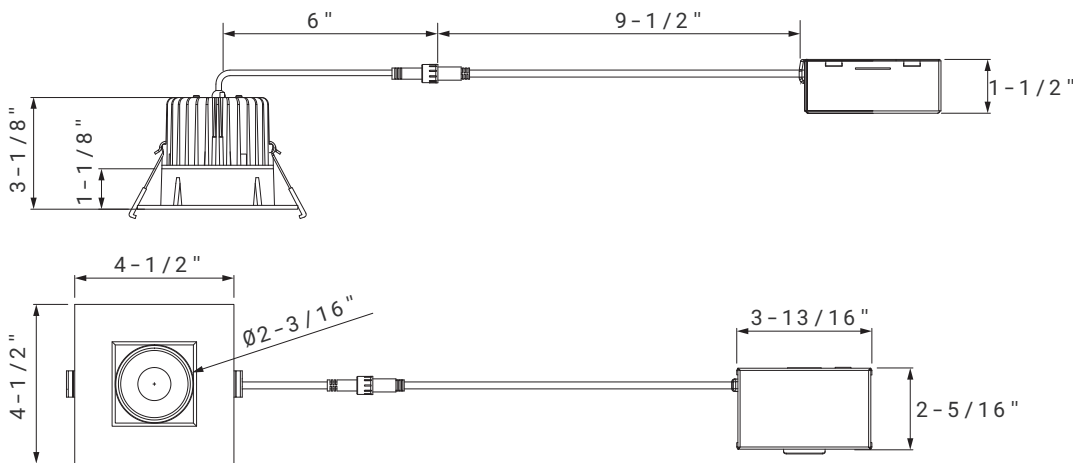
600LM & 1000LM

## SPECIFICATION

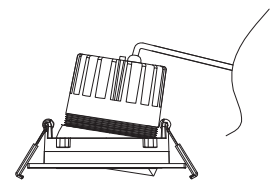
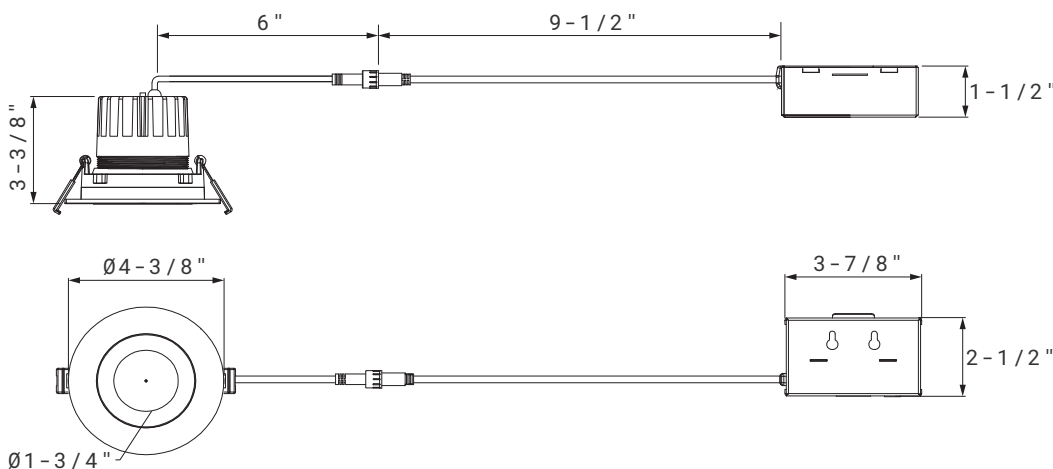
### 4" DL 600/1000lm (Round Trim)



### 4" DL 600/1000lm (Square Trim)



### 4" ADJ 600/1000lm (Round Trim)

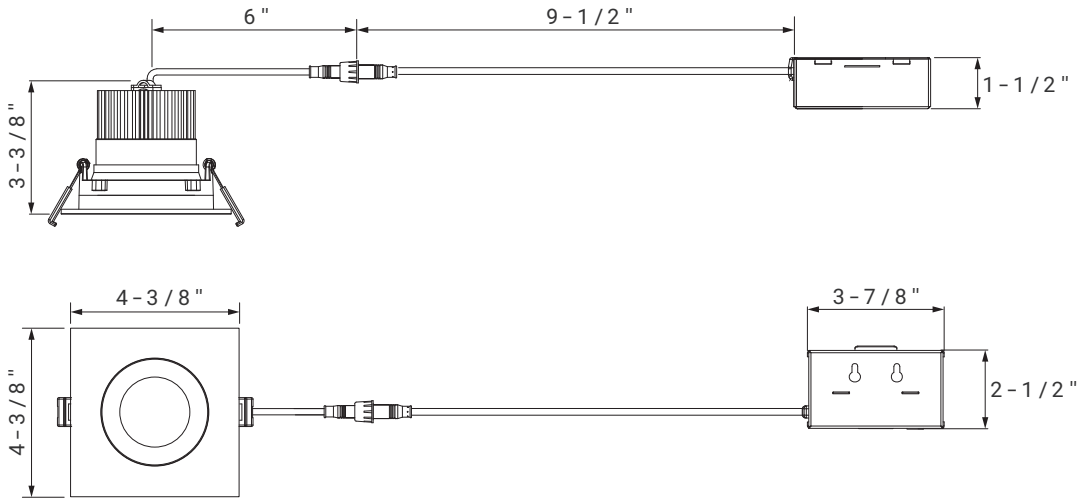


# 4" PORLA LED DOWNLIGHT

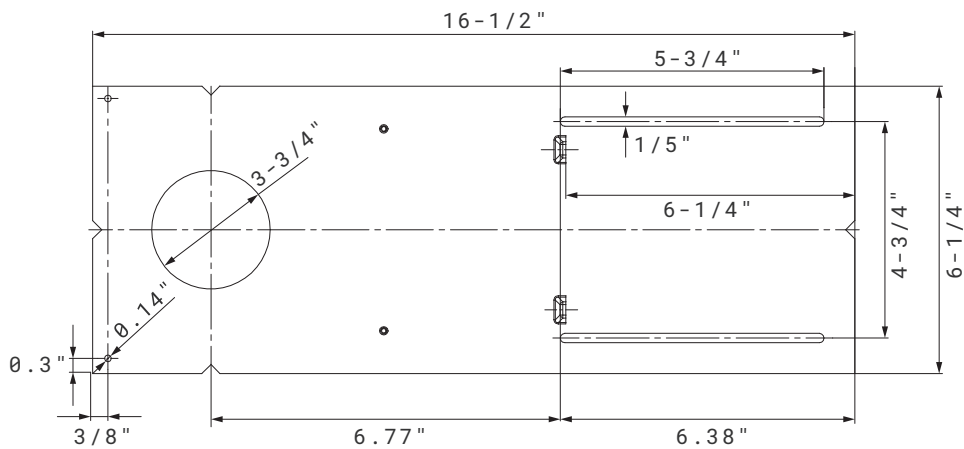
## 600LM & 1000LM

### SPECIFICATION

#### 4" ADJ 600/1000lm (Square Trim)



#### Rough In Plate



# 4" PORLA LED DOWNLIGHT

## 600LM & 1000LM

### ORDERING INFORMATION

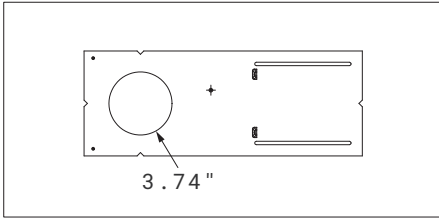
EXAMPLE: POR04-DLR-10LM-90-MBK

| POR          |          |                   |             |                                      |                          |  |
|--------------|----------|-------------------|-------------|--------------------------------------|--------------------------|--|
| Series       | Size     | Adjustable        | Shape       | Lumens/CRI                           | Trim Finish <sup>2</sup> | Driver Option  |
| POR<br>Porla | 04<br>4" | DL<br>Downlight   | R<br>Round  | 06LM-90<br>600lm/90CRI               | MWH<br>Matte White       | POR04-08W-4<br>600lm Triac Dimmable Driver               |
|              |          | ADJ<br>Adjustable | S<br>Square | 10LM-90 <sup>3</sup><br>1000lm/90CRI | MBK<br>Matte Black       | POR04-08W-1<br>600lm 0-10V Dimmable Driver               |
|              |          |                   |             |                                      |                          | POR04-12W-4 <sup>3</sup><br>1000lm Triac Dimmable Driver |
|              |          |                   |             |                                      |                          | POR04-12W-1 <sup>3</sup><br>1000lm 0-10V Dimmable Driver |

**NOTE:**

1. 2700K, 3000K, 3500K, 4000K, 5000K selectable. 3000K is default setting.
2. Custom finish color is available for trim and additional charge will apply for custom finish.
3. The 1000LM models and drivers comply with FCC & ICES-005.

### ACCESSORIES (ORDERED AND SHIPPED SEPARATELY)



**POR04-RIP-N**

Rough-in Plate.

New Version



FT6 Extension Cable (2 pin).

**POR-EXC6-FT6**

6 feet 2 pin cable.

**POR-EXC10-FT6**

10 feet 2 pin cable.

**POR-EXC20-FT6**

20 feet 2 pin cable.

### PERFORMANCE DATA

Lumen values are measured by third party certified laboratories performed in accordance with IESNA LM-79-08 as well as Lighting Facts listed.

| Size                    | Nominal Wattage | Lumen Output | CCT  | Beam Angle | Tilt Angle (ADJ) | CRI | Dimming                   | Cut Out |
|-------------------------|-----------------|--------------|--|------------|------------------|-----|---------------------------|---------|
| 4 Inch<br>(FIX and ADJ) | 8W              | 600lm@3000K  | Selectable 2700K/<br>3000K/3500K/<br>4000K/5000K | 38 degree  | 14 degree        | 90  | Triac or<br>0-10V dimming | Ø3.74"  |
|                         | 12W             | 1000lm@3000K |  |            |                  |     |                           |         |

### Lumen Multiplier

|       |      |
|-------|------|
| 2700K | 0.95 |
| 3000K | 1    |
| 3500K | 1.05 |
| 4000K | 1.10 |
| 5000K | 1.05 |

### WARRANTY

5 years limited warranty.

Specifications subject to change without notice.